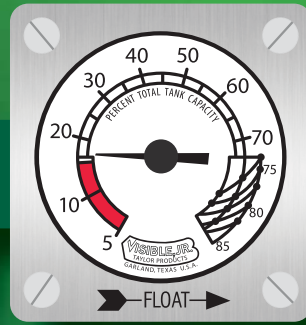


S Q U I B B

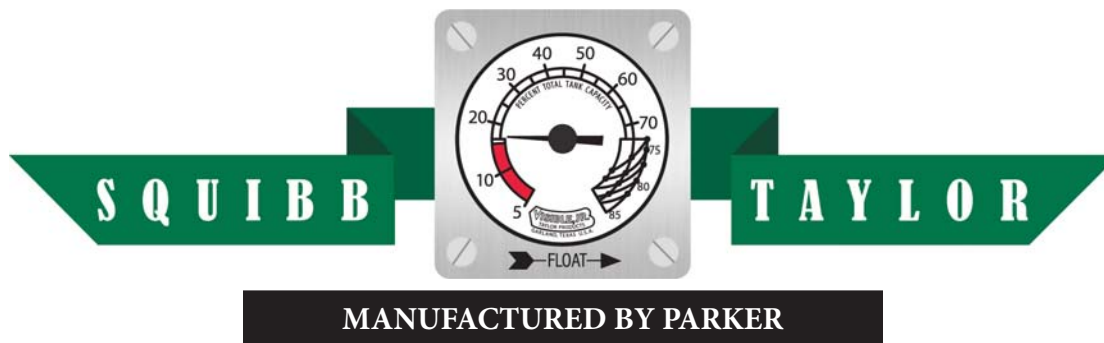


T A Y L O R

ANHYDROUS AMMONIA CATALOG

Serving the Industry Since 1947

www.squibbtaylor.com



USER SAFETY RESPONSIBILITY STATEMENT

For All Anhydrous Ammonia Products Offered by Squibb-Taylor

FAILURE OR IMPROPER SELECTION OR IMPROPER USE OF THE PRODUCTS DESCRIBED HEREIN OR RELATED ITEMS CAN CAUSE DEATH, PERSONAL INJURY OR PROPERTY DAMAGE.

- This document and other information from Squibb-Taylor, its subsidiaries and authorized distributors provide product or system options for further investigation by users having technical expertise.
- The user, through its own analysis and testing, is solely responsible for making the final selection of the system and components and assuring that all performance, endurance, maintenance, safety and warning requirements of the application are met. The user must analyze all aspects of the application, follow applicable industry standards, and follow the information concerning the product in the current product catalog and in any other materials provided from Squibb-Taylor or its subsidiaries or authorized distributors.
- To the extent that Squibb-Taylor or its subsidiaries or authorized distributors provide components or system options based upon data or specifications provided by the user, the user is responsible for determining that such data and specifications are suitable and sufficient for all applications and reasonably foreseeable uses of the components or systems.

Visit our Website @ www.squibbtaylor.com for Updates, Changes, New Products & IOM Manual - (Installation, Operation, & Maintenance Instructions)

Table Of Contents

| | |
|---|-------|
| • Acme Adaptors | 27 |
| • Acme Caps and Plugs | 28 |
| • Acme Lock | 8 |
| • Angle Valves | 18 |
| • Back Check Valves | 23-24 |
| • Baldor Motors | 57 |
| • Ball Valves | 32 |
| • Blackmer Parts Breakdown | 85-92 |
| • Blackmer Pumps & Parts | 57-58 |
| • Bleeder Valves | 30 |
| • Bypass Valves | 52 |
| • Container Thermometers | 31 |
| • Corken Parts Breakdown | 79-84 |
| • Corken Pumps, Parts, & Compressors | 51-56 |
| • Emergency Shutoff Valves & Accessories | 35-38 |
| • ESV Accessories & RSD E-Box | 33-34 |
| • Equa-Flo Manifolds | 15 |
| • Excess Flow Valves | 23 |
| • Filler Couplings | 8, 28 |
| • Flo-Max Safety Couplers | 11-12 |
| • Flo-Safe Nurse Tank ESV | 13 |
| • Flow Indicators | 62 |
| • Flow Splitters | 16 |
| • Gaskets & O-Rings | 77 |
| • Gauge Snubber | 31 |
| • Globe Valves | 17 |
| • Hi-Flow Hose End Valve Assemblies | 7 |
| • Hi-Flow Hose End Globe Valves | 7 |
| • Hi-Flow Inline Y Fitting | 16 |
| • Hi-Flow Nurse Tank Valves | 5 |
| • Hi-Flow Pipe Strainer | 29 |
| • Hose Buddy | 3 |
| • IB125 Breakaway Coupling | 13 |
| • Integral Shear Check-Lock | 14 |
| • Internal Valves, Actuators, & Accessories | 39-48 |
| • Jr. Float Gauges | 61 |
| • Krug Compressor & Hand Pump | 55 |

| | |
|-------------------------------------|-------|
| • Liquid Level Vent Valves | 30 |
| • Manifold Nipples & Parts | 15 |
| • Master Gauges | 65-66 |
| • Minimum Bleed Hose End Valves | 9 |
| • Needle Valves | 32 |
| • NH3 Gauge Dials | 69-70 |
| • N-Serve Stainless Steel Gauges | 60 |
| • Parker Hose Assemblies | 1-2 |
| • Parking Plugs | 30 |
| • Pressure Gauges | 31 |
| • Quick Jaw Hose End Valve | 9 |
| • Relief Valve Manifold | 19-20 |
| • Relief Valves & Adaptors | 19-22 |
| • Reusable Hose Couplings | 4 |
| • Riser Valves | 6 |
| • RoadMaster Gauges | 63-64 |
| • Rotary Gauges | 68 |
| • RotaSeal Hose Swivel | 9 |
| • Safety Fill Adaptor for Quick Jaw | 9 |
| • Schedule 80 Steel Fittings | 49-50 |
| • Sight Glass Fittings | 32 |
| • SkyTrak | 16 |
| • Snap Acting Hose End Valves | 10 |
| • Spanner Wrench - Acme | 29 |
| • Sr. Float Gauges | 59 |
| • SS Flex Connectors | 3 |
| • Squibb-Taylor Repair Kits & Parts | 78 |
| • Swivel Hose Unions | 4 |
| • Tank Service Valves | 6 |
| • The Eliminator™ Gauge | 67 |
| • Transfer Area Bulkhead | 25 |
| • TriPod Pull-Aways | 25-26 |
| • Turbo-Flo LE™ Transfer Valve | 10 |
| • Two-Bolt Clamp Hose Couplings | 4 |
| • Valve Locks | 31 |
| • Wheel Chock | 29 |
| • Y-Strainers | 29 |



**Authorized Hose
Assembly Distributor**

Custom Lengths Available

All Hoses Are Tested To Parker Standards

Date of Manufacture on Hose

Replace By Date on Hose

350 PSI Working Pressure

1750 PSI Burst Pressure

Always Check Hose Periodically For Wear.

DOT Certifications Available Upon Request.

| Parker 7262 Series Nylon 6 Year Hose Assemblies | | | | |
|---|-------------|-----------|-------------|-------------------|
| Item Number | Part Number | Hose I.D. | Hose Ends | Hose Length (OAL) |
| 184962 | AN075100 | 3/4" | 3/4" MNPT | 100' |
| 184950 | AN075200 | | | 200' |
| 185515 | AN10010 | 1" | 1" MNPT | 10' |
| 185520 | AN10012 | | | 12' |
| 185525 | AN10015 | | | 15' |
| 185536 | AN10030 | | | 30' |
| 185590 | AN12510 | | | 10' |
| 185594 | AN12512 | 1 1/4" | 1 1/4" MNPT | 12' |
| 185600 | AN12515 | | | 15' |
| 185696 | AN15010 | 1 1/2" | 1 1/2" MNPT | 10' |
| 185700 | AN15012 | | | 12' |
| 185760 | AN20015 | 2" | 2" MNPT | 15' |
| 185765 | AN20018 | | | 18' |
| 185770 | AN20020 | | | 20' |

Hose Assemblies can be assembled in any length.



Nylon Green Stripe

| Parker 7261 Series SS 8 Year Hose Assemblies | | | | |
|--|-------------|-----------|-------------|-------------------|
| Item Number | Part Number | Hose I.D. | Hose Ends | Hose Length (OAL) |
| 185805 | AS10003 | 1" | 1" MNPT | 3' |
| 185819 | AS10010 | | | 10' |
| 185823 | AS10012 | | | 12' |
| 185827 | AS10015 | | | 15' |
| 185850 | AS12503 | 1 1/4" | 1 1/4" MNPT | 3' |
| 185864 | AS12510 | | | 10' |
| 185868 | AS12512 | | | 12' |
| 185874 | AS12515 | | | 15' |

SS Assemblies are Non-Stock - Pricing available Upon Request.



Stainless Steel Silver Stripe

| SS Flex Connectors | | | | | |
|--------------------|-----------------|--------|------------------|----------------|---|
| Item Number | Connection Size | Length | Working Pressure | Burst Pressure | Material |
| 200799 | 1 1/4" | 18" | 850 PSI | 3,398 PSI | Stainless Steel Double Braid w/Hex Wrenching Flats Tagged with WP, BP, & Manufacture Date |
| 200800 | | 24" | | | |
| 200803 | 2" | 18" | 826 PSI | 3,302 PSI | |
| 200835 | | 24" | | | |
| 200810 | 3" | 18" | 506 PSI | 2,022 PSI | |
| 200845 | | 24" | | | |

Other sizes, lengths, weld ends, & flange ends available.



200799



Flex with Flanges

| Hose Buddy | | |
|-------------|-------------|--|
| Item Number | Part Number | Part Description |
| 117325 | HB-1000 | Fits 2" hose to protect from abrasive ground surfaces. Easily transferable from hose to hose. |



HB-1000



| Spiral Hose Wrap | | | | | |
|------------------|-------------|-----------|--------|---------------|--|
| Item Number | Part Number | Hose Size | Color | Case Quantity | Part Description |
| 750520 | R20SSG | 1/2" | Black | 100' | Wraps around hose to protect from abrasive ground surfaces. Easily transferable from hose to hose. |
| 750523 | R25SS-Y | 3/4" | Yellow | 100' | |
| 750524 | R32SG-B | 1" | Blue | 100' | |
| 750528 | R40SSG-Y | 1 1/4" | Yellow | 100' | |
| 750530 | R50SSG | 1 1/2" | Black | 100' | |
| 750525 | R63SSG-R | 2" | Red | 100' | |



R32SG-B



R63SSG-R

Hose Couplings & Swivel Unions

| Reusable Hose Couplings | | | | |
|-------------------------|-------------|----------------------|--------------------|-----------|
| Item Number | Part Number | Coupling Type | Outlet Size | Hose Barb |
| 117284 | 100-1/2 | Standard (Type A) | 1/2" MNPT | 1/2" |
| 117290 | 100-3/4 | | 3/4" MNPT | 3/4" |
| 117296 | 100-1 | | 1" MNPT | 1" |
| 117308 | 101 | Swivel Type (Type B) | 1 3/4" Female Acme | 1/2" |
| 117310 | 102 | | | 3/4" |
| 117316 | 103 | | | 1" |



100-1



103

| 2-Bolt Clamp Hose Couplings | | | | |
|-----------------------------|----------------|--------------------------------|----------------|-----------|
| Item Number | Part Number | Coupling Type | Outlet Size | Hose Barb |
| 122196 | ST-M3162-08 | Clamp Type A Standard Outlet | 1/2" MNPT | 1/2" |
| 122201 | ST-M3162-12 | | 3/4" MNPT | 3/4" |
| 122206 | ST-M3162-16 | | 1" MNPT | 1" |
| 117312 | A221S | | 1 1/4" MNPT | 1 1/4" |
| 122211 | ST-M3162-20 | | 1 1/2" MNPT | 1 1/2" |
| 122216 | ST-M3162-24 | | 2" MNPT | 2" |
| 122221 | ST-M3162-32 | | 3" MNPT | 3" |
| 122225 | M3162-48 | | | |
| 122230 | ST-M3162-12S | Clamp Type B Swivel Nut Outlet | 1 3/4" F. Acme | 3/4" |
| 122212 | ST-M3162-2018S | | 2 1/4" F. Acme | 1 1/4" |
| 122213 | ST-M3162-2020S | | 3 1/4" F. Acme | 2" |
| 122241 | ST-M3162-32S | | 4 1/4" F. Acme | 3" |
| 122245 | M3162-48S | | | |



ST-M3162-20



ST-M3162-2018S



ST-M3162-2020S

| Swivel Hose Unions | | | |
|--------------------|----------------|-------------|-------------|
| Item Number | Part Number | Pipe Thread | Pipe Swivel |
| 230151 | ST-2045-8-8S | 1/2" MNPT | 1/2" FNPT |
| 230154 | ST-2046-8-8S | 1/2" FNPT | |
| 230152 | ST-2045-12-12S | 3/4" MNPT | 3/4" FNPT |
| 230155 | ST-2046-12-12S | 3/4" FNPT | |
| 230153 | ST-2045-16-16S | 1" MNPT | 1" FNPT |
| 230161 | ST-2046-16-16S | 1" FNPT | |
| 230157 | ST-2045-20-20S | 1 1/4" MNPT | 1 1/4" FNPT |
| 230156 | ST-2046-20-20S | 1 1/4" FNPT | |
| 230263 | ST-2045-24-24S | 1 1/2" MNPT | 1 1/2" FNPT |
| 230261 | ST-2046-24-24S | 1 1/2" FNPT | |
| 230158 | ST-2045-32-32S | 2" MNPT | 2" FNPT |
| 230199 | ST-2046-32-32S | 2" FNPT | |



ST-2045-16-16S



ST-2046-16-16S

| Hi-Flow Nurse Tank Valves | | | | | | | |
|---------------------------|-------------|-------------------|-----------------|-------------------|----------------------|------------------|------------|
| Item Number | Part Number | Application | Tank Connection | Outlet Connection | Fill Rate @ 50 PSI Δ | Excess Flow Rate | Repair Kit |
| 111155 | A525P | Filling | 1 1/4" MNPT | 1 3/4" M. Acme | 100 GPM | 45 GPM | 310-22 |
| | | Vapor Return | 1 1/4" MNPT | 1 3/4" M. Acme | ---- | | |
| 111153 | A522P | Filling | 1 1/4" MNPT | 1" FNPT | 75 GPM | | |
| | | Liquid Withdrawal | 1 1/4" MNPT | 1 3/4" M. Acme | ---- | | |
| 111187 | A1599P # | Filling Only | 1 1/4" MNPT | 1 3/4" M. Acme | 93 GPM | ---- | 480-22 |
| 110776 | A502N-45 | Liquid Withdrawal | 1 1/2" MNPT | 1 1/2" FNPT | ---- | 45 GPM | |
| 110777 | A502N-60 | Filling | 1 1/2" MNPT | 1 1/2" FNPT | 150 GPM | 60 GPM | |
| | | Liquid Withdrawal | 1 1/2" MNPT | 1 1/2" FNPT | ---- | ---- | |
| 111185 | A1596R * | Liquid Withdrawal | 1 1/4" MNPT | 1" FNPT | ---- | 30 GPM | 310-22 |
| 111150 | A520R * | | | | ---- | 45 GPM | |
| 111151 | A521P | | | | ---- | | |
| 110733 | A486N-45 + | | | 1 1/4" FNPT | ---- | | |
| 110771 | A484N-45 ~ | | | ---- | ---- | | |
| 110772 | A480N-45 ~ | | 1 1/2" MNPT | 1 1/4" FNPT | ---- | 60 GPM | 480-22 |
| 110773 | A480N-60 ~ | | | ---- | 45 GPM | | |
| 110774 | A482N-45 ~ | | | 1 1/2" FNPT | ---- | | |
| 110775 | A482N-60 ~ | | | ---- | 60 GPM | | |

* With Built-In Relief. # Back Check. + Low Profile Design. ~ With A1327 Hydrostat Installed.

Sizing Excess Flows - Refer To Local Codes.



A502N



A480N, A482N,
& A484N



A525P



A486N

ID Tags



Triangle - 45 GPM



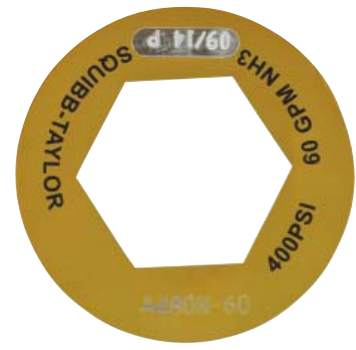
A522P



A521P



A520R



Circle - 60 GPM

| Riser Valves | | | | | | | |
|--------------|-------------|--------------------------------|------------------|-------------------|------------------|------------|-------------------------|
| Item Number | Part Number | Application | Inlet Connection | Outlet Connection | Excess Flow Rate | Repair Kit | 1/4" FNPT Side Outlet |
| 110575 | AL477EP | Liquid Riser Pump Service Only | 1 1/4" MNPT | 1" FNPT | 70 GPM | 310-22 | Plugged |
| 110590 | AL478EP | | | 1 1/4" FNPT | | | |
| 110595 | A490NR-95 | | 2" MNPT | 1 1/4" FNPT | 95 GPM | 480-22 | With Hydrostatic Relief |
| 110596 | A490NR-110 | | | | 110 GPM | | |

Valves Must Be Used With At Least A 2" Forged Steel Fitting.

Sizing Excess Flows - Refer To Local Codes.

DO NOT USE RISER VALVES IN NURSE TANKS.

ID Tags



AL477 & AL478



A490N



Square - 95 GPM



Clover - 110 GPM

| Tank Service Valves | | | | | | |
|---------------------|-------------|-----------------|-----------------|-----------|------------------|------------|
| Item Number | Part Number | Application | Tank Connection | Outlet | Excess Flow Rate | Repair Kit |
| 110430 | AL407P | Vapor or Liquid | 3/4" MNPT | 1/2" FNPT | N/A | 407-21 |
| 110435 | AL407EP | | | | 12 GPM | |
| 110480 | AL409P | | | 3/4" FNPT | N/A | |
| 110485 | AL409EP | | | | 15 GPM | |



AL409P



AL409EP

| Hi-Flow Hose End Globe Valves | | | | | |
|-------------------------------|-------------|-------------|-------------|---------------|------------|
| Item Number | Part Number | Inlet | Outlet | Body Material | Repair Kit |
| 110333 | A329AL | 1" FNPT | 1" FNPT | Aluminum | 310-22 |
| 110334 | A330 | 1-1/4" FNPT | | Ductile Iron | 330-22 |
| 110336 | A331 | | 1-1/4" FNPT | Aluminum | 480-22 |
| 110338 | A333AL | | 1-1/2" FNPT | | |
| 110337 | A334AL | 1-1/2" FNPT | 1-1/2" FNPT | | |



A329AL



A331P



A334AL

| Hi-Flow Hose End Valve Assemblies | | | | | | |
|-----------------------------------|-------------|-------------|--------------------|---------------|------------|-----------------|
| Item Number | Part Number | Inlet | Outlet | Body Material | Repair Kit | Bonnet Assembly |
| 110857 | A1520 | 1" FNPT | 1 3/4" Female Acme | Aluminum | 310-22 | 310-25 |
| 110860 | A1525 | 1-1/4" FNPT | | Ductile Iron | 330-22 | A330-25 |
| 110862 | A1527 | | 2 1/4" Female Acme | Aluminum | 333-22 | 480-25 |
| 110901 | A1528 | | 1-1/4" FNPT | | | |
| 110906 | A1529 | 1-1/2" FNPT | | | | |



A1520



A1525, A1527, A1528, & A1529

| Filler Couplings | | | | |
|------------------|-------------|-------------|------------------|---------|
| Item Number | Part Number | Female Acme | Inlet Connection | Length |
| 110641 | A1130FS | 1 3/4" | 3/4" MNPT | 7 3/16" |
| 110645 | A1131F | | 1" MNPT | |
| 110650 | A1132F | 2 1/4" | 1 1/4" MNPT | |
| 110651 | A1133F | | 1 1/2" MNPT | |



A1131F



A1132F

| Acme Lock for S/T Filler Couplings | | | |
|------------------------------------|-------------|-------------|------------------|
| Item Number | Part Number | Female Acme | Inlet Connection |
| 110655 | 134AL | 1 3/4" | 1" MNPT |
| 110656 | 214AL | 2 1/4" | 1 1/4" MNPT |

One Step Operation.



Acme Lock Installed on A1131F.

Minimum Bleed Hose End Valves & RotaSeals

Quick Jaw Hose End Valves

| Item Number | Part Number | Inlet | Outlet | Body Type | Valve Release | Repair Kit |
|-------------|-------------|-------------|----------------|-----------|---------------|------------|
| 110518 | AL363 | 1" FNPT | 1-3/4" F. Acme | Angle | .75 CC | 363-20 |
| 110521 | AL366 | 1-1/4" FNPT | | | | |



AL363 Quick Jaw



Quick Jaw Open



ST571HS

Safety Fill Adaptor For Quick Jaw

| Item Number | Part Number | Inlet | Outlet |
|-------------|-------------|----------------|----------------|
| 150634 | ST571HS | 1-3/4" M. Acme | 1-3/4" F. Acme |

Minimum Bleed Hose End Valves

| Item Number | Part Number | Inlet | Outlet | Valve Release | Repair Kit |
|-------------|-------------|-------------|----------------|---------------|------------|
| 110512 | AL343A | 1" FNPT | 1-3/4" F. Acme | .65 CC | 363-20 |
| 110522 | AL362A | 1-1/4" FNPT | 1-3/4" F. Acme | .65 CC | 363-20 |



AL343A

RotaSeal Hose Swivel

| Item Number | Part Number | Inlet & Outlet | Repair Kit |
|-------------|-------------|----------------|------------|
| 112051 | AL107 | 3/4" NPT | 107-22 |
| 112056 | AL109 | 1" NPT | 109-22 |
| 112061 | AL111 | 1 1/4" NPT | 111-22 |



AL111

| Snap Acting Hose End Valves | | | | | |
|-----------------------------|-------------|-------------|-------------|-----------|------------|
| Item Number | Part Number | Inlet | Outlet | Body Type | Repair Kit |
| 110505 | AL344P | 1" FNPT | 1" FNPT | Globe | 344-22 |
| 110515 | AL345P | | | Angle | |
| 110516 | AL361 | 1-1/4" FNPT | 1-1/4" FNPT | | |



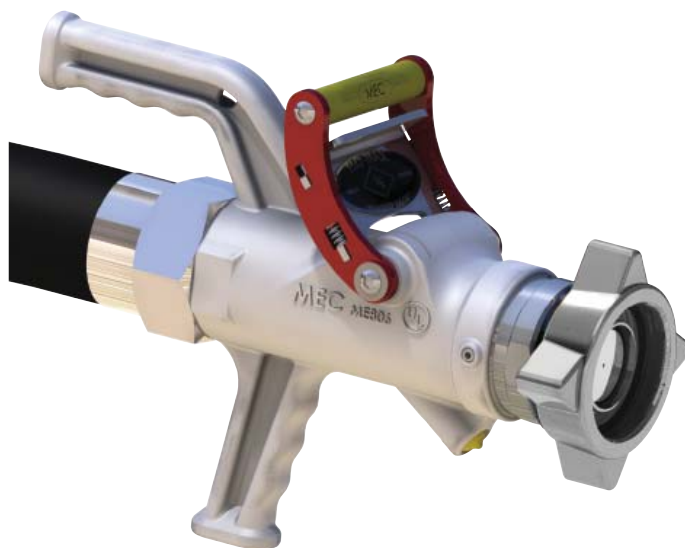
AL345P



AL344P

| Turbo-Flo LE™ Transfer Valves | | | | |
|-------------------------------|-------------|---------|--------------------|---------------------------|
| Item Number | Part Number | Inlet | Outlet | Discharge @ Disconnect |
| 150840 | ME806S-16 | 2" FNPT | 3 1/4" Female Acme | .09 CC When Used Together |
| 150278 | ME807S-16 | | 3 1/4" Male Acme | |

LE™ is a Low Emission system when the two below valves are used together reduces the disconnect discharge to .09 CC.



ME806-16



ME807-16

| 1 1/4" Flo-Max Safety Coupler | | | | |
|-------------------------------|-------------|-----------------------|--|-------------|
| Item Number | Part Number | Part Description | Inlet | Outlet |
| 113026 | FM126-1000 | FM126 Less Bracket | 1 1/4" FNPT | 1 1/4" FNPT |
| 113027 | FM126-1004 | FM126 With RB Bracket | | |
| 113028 | FM126-1006 | FM126 With EZ Bracket | | |
| 113019 | FM126-1500 | FM126 EZ Bracket | Fits FM126, FM125 & Pioneer 1" or 1 1/4" | |
| 111595 | A2084 | Spacer | Fits Pioneer 1 1/4" 4500-7 | |
| 111596 | A2085 | Spacer | Fits Pioneer 1" 4500-6 | |

See Notification on Next Page.



FM126-1000



A2085



INSTALL AS SHOWN
See IOM

FM126 EZ Bracket

| FM 126/125 Parts | | |
|------------------|--------------|------------------------|
| Item Number | Part Number | Part Description |
| 113044 | FM125-0022 | O-Ring & Tool Kit |
| 113041 | FM125-0023 | Plunger Kit |
| 113046 | FM125-0024 | O-Ring Kit |
| 113048 | FM P5-288-RO | Quad O-Ring |
| 119395 | ST108-2003 | FM O-Ring Male Tip |
| 113013 | FM125-2000 | Safety Decal |
| 119394 | FM125-5003 | Male Plug |
| 113047 | SFM126-1100 | Female Half |
| 113049 | SFM126-1200 | Male Half |
| 113022 | RB1-2003 | Bracket Retaining Ring |
| 113216 | FM126-0024 | EZ Bracket Rod Kit |
| 113020 | FM126-0026 | EZ Bracket Handle Kit |



FM 125-5003



FM Female Half



FM Male Half

1 1/2" Flo-Max Coupler



| 1 1/2" Flo-Max Safety Coupler | | | | |
|-------------------------------|-------------|-----------------------|-------------|-------------|
| Item Number | Part Number | Part Description | Inlet | Outlet |
| 113202 | FM150-1001 | FM150 With EZ Bracket | 1 1/2" FNPT | 1 1/2" FNPT |
| 113201 | FM150-1500 | FM150 EZ Bracket | Fits FM150 | |

| FM 150 Parts | | |
|--------------|-------------|-----------------------|
| Item Number | Part Number | Part Description |
| 113207 | FM150-0022 | O-Ring & Tool Kit |
| 113208 | FM150-0023 | Plunger Kit |
| 113209 | FM150-0024 | O-Ring Kit |
| 113210 | P5-304-R0 | Quad O-Ring Male |
| 113211 | P5-305-R0 | Quad O-Ring Female |
| 113212 | 110-2003 | O-Ring FM Male Tip |
| 113214 | FM150-2000 | Safety Decal |
| 113213 | FM150-5003 | Male Plug |
| 113205 | SFM150-1100 | Female Half |
| 113206 | SFM150-1200 | Male Half |
| 113203 | FM150-2003 | Retaining Ring |
| 113216 | FM126-0024 | EZ Bracket Rod Kit |
| 113020 | FM126-0026 | EZ Bracket Handle Kit |



INSTALL AS SHOWN
See IOM

FM150 W/EZ Bracket

Squibb-Taylor Seasonal Inspection & Maintenance Instructions Notification for FM126 & FM150.

As an equipment supplier for the Anhydrous Ammonia industry, Squibb-Taylor constantly strives to promote industry safety and improve our products.

1. End users should separate and connect Squibb-Taylor's FM125, FM126 and FM150 Flo-Max Couplers to ensure they are functioning as designed. Users shall clean and repair the couplers as required per the specific manufacturer's Installation, Operation & Maintenance (IOM) manual.
2. Ensure bleeder valves and hydrostats are installed properly, according to the specific manufacturer's IOM for each coupler.
3. Ensure the mounting bracket and the discharge hose are in accordance with the specific manufacturer's IOM for each coupler. In order for each coupler to function as designed, it must be mounted to allow separation in a straight pull.
4. End users shall ensure that there are no obstructions to interfere with the movement of coupler at the beginning of each new season. This will ensure that any changes made to the tool bar will not obstruct the required movement as per the manufacturer's IOM for each coupler. Do not mount Flo-Max on Tool Bar Hitch.
5. Check the swing checks in both the male and female halves of each coupler by pushing on the flapper several times to ensure they are opening and closing fully in accordance with the specific manufacturer's IOM for each coupler.

End users, Distributors, & Retailers are reminded to follow all of the instructions contained within each product IOM, which can be found at www.squibbtaylor.com to assist you in checking that your couplers are working & installed as per the manufacturer's requirements prior to each new season.

If, after reviewing and following the specific IOM instructions, the end user should have any questions regarding any of the information contained within this notice or any IOM, please call your local Distributor or contact Squibb-Taylor at 1.800.345.8105 for clarification or additional assistance.

IB125 Breakaway Coupling

| Item Number | Part Number | Inlet Connection | Outlet Connection | Description |
|-------------|-------------|------------------|-------------------|--------------------|
| 113250 | IB125 | 1 1/4" FNPT | 1 1/4" FNPT | Breakaway Coupling |

For Use @ Toolbar on In-Line w/Tandem Tanks.



IB125

Flo-Safe - Nurse Tank Electronic Emergency Shut Off

| Item Number | Part Number | Part Description | Inlet & Outlet |
|-------------|-------------|--|----------------|
| 113400 | FS125-1500 | Flo-Safe Only | 1 1/4" FNPT |
| 113401 | FS150-1000 | Flo-Safe Only | 1 1/2" FNPT |
| 113410 | FS15-1000 | 15' Cable With Connectors | ----- |
| 113412 | FS25-1000 | 25' Cable With Connectors | |
| 113414 | FS Switch | Switch Box | |
| 113411 | FS125-Y | Y-Harness For Dual Flo-Safe (One Switch) | |



FS125-1500



FS Switch

Integral Shear Check-Lock



| Integral Shear Check-Lock | | | | |
|---------------------------|-------------|------------------|-------------------|---------------------------|
| Item Number | Part Number | Inlet Connection | Outlet Connection | Description |
| 110630 | A2231FS * | 1" MNPT | 1 3/4" F. Acme | Safety Coupling |
| 110635 | A2232FS # | 1 1/4" MNPT | 2 1/4" F. Acme | |
| 110631 | A2241S | 1 3/4" F. Acme | 1 1/4" MNPT | Check Valve w/Acme O-Ring |
| 110636 | A2242S | 2 1/4" F. Acme | | |
| 110632 | A2240S | 1 1/4" FNPT | 1" MNPT | Bell Adaptor |

* Works With A2241S or Any 1 3/4" Male Acme w/O-ring Instead of Gasket.

Works with A2242S or Any 2 1/4" Male Acme.



Hose End Valve With Integral Shear Check-Lock



| Equa-Flo Manifolds | | | |
|--------------------|--------------|-----------------|-------------------------------|
| Item Number | Part Number | Inlet Pipe Size | Part Description |
| 111670 | A1804-1000 * | 1" MNPT | 21-Port Junior |
| 111665 | A1805-1000 * | | 16-Port Sweet 16 |
| 111259 | 1805-1004 | | 16-Port Non Equa-Flo Manifold |

* Includes Inserts .810 (Installed from factory), .640, & .470.



A1804



A1805

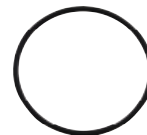


Internal View of Equa-Flo Manifold



1805-1004

| Equa-Flo Parts | | |
|----------------|-------------|--------------------|
| Item Number | Part Number | Part Description |
| 111676 | P5-196-RO | O-Ring |
| 111677 | A1804-2001 | .810 Tall Insert |
| 111678 | A1804-2002 | .640 Medium Insert |
| 111679 | A1804-2003 | .470 Short Insert |
| 111680 | A1804-5004 | Restrictor Cap |



P5-196-RO



A1804-5004



A1804-2003



A1804-2002



A1804-2001

| Manifold Hose Nipples | | | |
|-----------------------|-------------|---------------------|-------|
| Item Number | Part Number | Manifold Connection | Hose |
| 230134 | E006 | 1/4" MNPT | 1/4" |
| 111510 | A2046S | | 3/8" |
| 111511 | A2047 | | 7/16" |



A2046S

| Flow Splitters | | | |
|----------------|-------------|-----------------|------------------|
| Item Number | Part Number | Inlet Pipe Size | Part Description |
| 111655 | A1802 | 1" MNPT | 2-Way |
| 111660 | A1803 | | 3-Way |
| 111675 | A1806 | | 4-Way |
| 111669 | A1807 | | 5-Way |
| 111656 | A1812 | 1 1/4" MNPT | 2-Way |
| 111661 | A1813 | | 3-Way |
| 111662 | A1816 | | 4-Way |
| 111668 | A1817 | | 5-Way |



Splitter

| Hi-Flow Inline Y Fitting | | | |
|--------------------------|-------------|-------------|-------------|
| Item Number | Part Number | Inlets | Outlet |
| 111725 | Y-125 | 1 1/4" FNPT | 1 1/4" FNPT |
| 111726 | Y-150 | 1 1/2" FNPT | 1 1/2" FNPT |



Y-150

| SkyTrak 9Hz Model | | |
|-------------------|-------------|----------------------|
| Item Number | Part Number | Connector Type |
| 113592 | SK2-1009-D | DICKEY-john® — 4 Pin |
| 113593 | SK2-1009-R | Raven — 3 Pin |

Updates 9 times per second.



SkyTrak



Manufacturing Date



SkyTrak 9Hz



Back of Power / Status Indicator

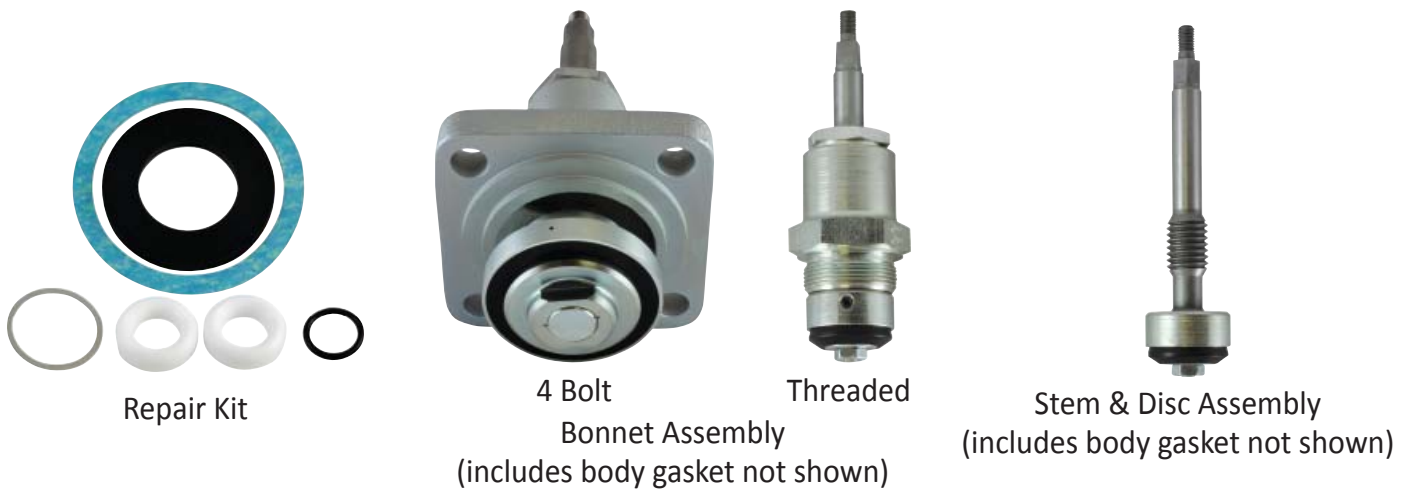


DICKEY-john® Plug - 4 Pin



Raven Plug - 3 Pin

| Globe Valves | | | | | |
|--------------|-------------|----------------|------------|-----------------|----------------------|
| Item Number | Part Number | Inlet & Outlet | Repair Kit | Bonnet Assembly | Stem & Disc Assembly |
| 110250 | AL306P | 1/2" FNPT | 308-22 | 308-25 | 308-26 |
| 110255 | AL308P | 3/4" FNPT | | | |
| 110280 | AL310P | 1" FNPT | 310-22 | 310-25 | 310-26 |
| 110320 | AL312P | 1-1/4" FNPT | 312-22 | 312-25 | 312-26 |
| 110355 | AL314P | 1-1/2" FNPT | 314-22 | 314-25 | 314-26 |
| 110375 | AL316P | 2" FNPT | 316-22 | 316-25 | 316-26 |
| 110378 | AL316FP | 2" ANSI Flange | | | |
| 110415 | AL320P | 3" FNPT | 320-22 | 320-25 | 320-26 |
| 110420 | AL320FP | 3" ANSI Flange | | | |
| Economy | | | | | |
| 110535 | AL410P | 1/2" FNPT | 410-21 | 410-25 | 410-23 |
| 110555 | AL412P | 3/4" FNPT | | | |



Angle Valves

| Angle Valves | | | | | |
|--------------|-------------|----------------|------------|-----------------|----------------------|
| Item Number | Part Number | Inlet & Outlet | Repair Kit | Bonnet Assembly | Stem & Disc Assembly |
| 110252 | AL307P | 1/2" FNPT | 308-22 | 308-25 | 308-26 |
| 110260 | AL309P | 3/4" FNPT | | | |
| 110300 | AL311P | 1" FNPT | 310-22 | 310-25 | 310-26 |
| 110335 | AL313P | 1-1/4" FNPT | 312-22 | 312-25 | 312-26 |
| 110365 | AL315P | 1-1/2" FNPT | 314-22 | 314-25 | 314-26 |
| 110395 | AL317P | 2" FNPT | 316-22 | 316-25 | 316-26 |
| 110398 | AL317FP | 2" ANSI Flange | | | |
| 110425 | AL321P | 3" FNPT | 320-22 | 320-25 | 320-26 |
| 110429 | AL321FP | 3" ANSI Flange | | | |
| Economy | | | | | |
| 110540 | AL411P | 1/2" FNPT | 410-21 | 410-25 | 410-23 |
| 110565 | AL413P | 3/4" FNPT | | | |



AL411P



AL311P



AL317P



AL321FP



Repair Kit



4 Bolt
Bonnet Assembly
(includes body gasket not shown)



Threaded



Stem & Disc Assembly
(includes body gasket not shown)

| Relief Valves | | | | | | |
|---------------|-------------|-----------------------|-----------|----------------|--------------------------------|--|
| Item Number | Part Number | Application | Size MNPT | Relief Setting | Flow Capacity - CFM Air (ASME) | For Tanks with Surface Area Up To: Sq. Ft. |
| 110815 | A1327 | Piping & Hose | 1/4" | 350 PSI | ---- | ---- |
| 110816 | A1328 | | | 450 PSI | ---- | ---- |
| 110820 | A1329 | | | 312 PSI | ---- | ---- |
| 110750 | A1301A | Storage & Nurse Tanks | 3/4" | 250 PSI | 1,884 | 239 |
| 110755 | A1301B | | | 265 PSI | 1,937 | 250 |
| 110795 | A1310A | | 1 1/4" | 250 PSI | 5,363 | 882 |
| 110800 | A1310B | | | 265 PSI | 5,924 | 914 |



A1301 & A1310 Have CRN #'s

| Relief Valve Manifold | | | | |
|-----------------------|-------------|---------------------|-----------------|----------------|
| Item Number | Part Number | Includes | Tank Connection | Relief Setting |
| 110835 | A1416 | Manifold | 2" FNPT * | ---- |
| 110855 | A1416A | Manifold & 2 A1310A | | 250 PSIG |
| 110856 | A1416B | Manifold & 2 A1310B | | 265 PSIG |

* Includes 2" X Close EH Seamless Nipple. Packing Kit 1415-2007 (3 Per Set).



| Rain Caps | | |
|-------------|-------------|-----------------------|
| Item Number | Part Number | Fits |
| 110818 | 1327-2002 | A1327, A1328, & A1329 |
| 110770 | 1301-12 | A1301A & A1301B |
| 122665 | P145 | |
| 110810 | 1310-12 | A1310A & A1310B |



| Relief Valve Adaptor | | | | |
|----------------------|-------------|------------|-------------|--------------------|
| Item Number | Part Number | Inlet MNPT | Outlet FNPT | Relief Outlet FNPT |
| 110825 | A2031 | 1" | 1" | 1/4" |
| 110830 | A2032 | 1 1/4" | 1 1/4" | |
| 110832 | A2034 | 1 1/2" | 1 1/2" | |

| Pipeaway Adaptor | | |
|------------------|-------------|----------------|
| Item Number | Part Number | Inlet & Outlet |
| 110811 | A1310-20 | 2" FNPT |
| 122615 | MEP104-24 | 3" FNPT |



Relief Valves



| Relief Valves | | | | | | |
|---------------|-------------|-----------------------|-----------|----------------|----------------------------|--|
| Item Number | Part Number | Application | Size MNPT | Relief Setting | Flow Capacity - SCFM / Air | Suitable For Tanks w/Surface Area Up To: |
| | | | | | U.L. @ 120% Set Pressure | |
| 110845 | STA1311A | Storage & Nurse Tanks | 1 1/4" | 250 PSI | 6,330 | 1,010 |
| 110846 | STA1311B | | | 265 PSI | 6,545 | 1,045 |

| Relief Valve Accessories | | |
|--------------------------|---------------|----------------------------------|
| Item Number | Part Number | Fits |
| 110847 | ME904S-16-118 | Plug w/Safety Notice |
| 110848 | MEP178 | Pipeaway w/2" FNPT Outlet |
| 110849 | MEV125-109 | Rain Cap for STA1311A & STA1311B |



STA1311A

| Relief Valve Quad-Port Manifold | | | | | | |
|---------------------------------|--------------|--------------------|-----------------|----------------|---------------|-------------|
| Item Number | Part Number | Includes | Tank Connection | Relief Setting | Relief Valves | |
| | | | | | Part Number | # of Valves |
| 110840 | ME904S-16 | Manifold | 2" | ---- | ---- | ---- |
| 110841 | ME904S-16-3A | Manifold & Reliefs | | 250 PSI | STA1311A | 3 |
| 110842 | ME904S-16-3B | Manifold & Reliefs | | 265 PSI | STA1311B | 3 |
| 110843 | ME904S-16-4A | Manifold & Reliefs | | 250 PSI | STA1311A | 4 |
| 110844 | ME904S-16-4B | Manifold & Reliefs | | 265 PSI | STA1311B | 4 |



ME904S-16-118



ME904S-16



ME904S-16-4B

| Fisher Relief Valves | | | | | | | |
|----------------------|-------------|----------------------------|--------------------|----------------|-------------------------|--------|--|
| Item Number | Part Number | Application | Size MNPT | Relief Setting | Flow Capacity - CFM Air | | For Tanks with Surface Area Up To: Sq. Ft. |
| | | | | | U.L. | ASME | |
| 121050 | H722-250 | Bobtail & Transport Trucks | 2" | 250 PSI | 3,635 | 3,023 | 171 |
| 121052 | H722-265 | | | 265 PSI | 3,556 | 3,386 | 166 |
| 121055 | H733-250 | | 3" | 250 PSI | 10,150 | 8,827 | 598 |
| 121062 | H833N-3-265 | | | 265 PSI | 10,940 | 9,332 | 655 |
| 121047 | H733F3-250 | | 3" CL300 RF Flange | 250 PSI | 10,150 | 8,827 | 598 |
| 121048 | H733F3-265 | | | 265 PSI | 10,940 | 9,332 | 655 |
| 121043 | H5114-250 | Bulk Storage | 2" | 250 PSI | 10,530 | 9,724 | 625 |
| 121045 | H5114-265 | | | 265 PSI | 11,300 | 10,280 | 681 |



H722-265



H733-250



H833N-3-F3-265



H5114-265

| Fisher Accessories | | | |
|--------------------|--------------|------------------------------|-------------------------------------|
| Item Number | Part Number | Part Description | Fits |
| 122805 | P297 | Rain Cap | H722 Series |
| 122820 | P304 | Wrench | |
| 122810 | P298 | Rain Cap | H733, H733F3, H833, & H833F3 Series |
| 122825 | P305 | Wrench | H733 & H833 Series |
| 122815 | P299 | Rain Cap | H5114 Series |
| 127983 | T10561-38992 | 3" Spirotallic Flange Gasket | H733F3 & H833F3 Series |
| 127990 | Garlock 5500 | 3" Fiber Flange Gasket | |



P297 & P298



P299



P304 & P305

| MEC Relief Valves | | | | | | |
|-------------------|---------------------|---------------------------|-------------------|----------------|------------------------------|---------------|
| Item Number | Part Number | Application | Size MNPT | Relief Setting | Flow Capacity - SCFM / Air # | Trim Material |
| | | | | | U.L. @ 120% Set Pressure | |
| 121099 | MEV200SSIR/250 | Bulk Storage | 2" | 250 PSI | 10,925 | Nitrile |
| 121088 | MEV200SSIR/265 | | | 265 PSI | 11,475 | |
| 121090 | MEV250CN/250 | | 2 1/2" | 250 PSI | 10,333 | |
| 121091 | MEV250CN/265 | | | 265 PSI | 10,948 | |
| 150818 | ME904S-4F/250CN | | 4" 300 LB. Flange | 250 PSI | 27,740 | |
| 121095 | MEV200FIRK/250 * | Bobtail & Transport Tanks | 2" MNPT | 250 PSI | 4,460 | Kalrez® |
| 121097 | MEV200FIRK/265 * | | | 265 PSI | 4,670 | |
| 121072 | MEV300FIRK/250 * | | 3" MNPT | 250 PSI | 10,865 | Kalrez® |
| 121071 | MEV300FIRK/265 * | | | 265 PSI | 11,600 | |
| 121081 | MEV300FIRK-3F/250 * | | 3" 300LB. Flange | 250 PSI | 10,865 | Kalrez® |
| 121083 | MEV300FIRK-3F/265 * | | | 265 PSI | 11,600 | |

* Seat Material not UL Listed. # Flow rates are shown for bare relief valves. Kalrez® is a trademark of DuPont.



MEV200SSIR/250



MEV250CN/265



ME904S-4F/250CN



MEV300FIR/250



MEV300FIR-3F/265

| MEC Accessories | | | |
|-----------------|--------------|------------------------------|------------------|
| Item Number | Part Number | Part Description | Fits |
| 150855 | MEV200FIR-09 | Rain Cap | MEV200 Series |
| 122821 | MEP200FIR | Wrench | |
| 121089 | MEV300FIR-09 | Rain Cap | MEV300 Series |
| 122826 | MEP300FIR | Wrench | |
| 127983 | T10561-38992 | 3" Spirotallic Flange Gasket | MEV300-3F Series |
| 127990 | Garlock 5500 | 3" Fiber Flange Gasket | |



MEP200FIR



MEV200FIR-09

| Excess Flow Valves | | | | |
|--------------------|-------------|------------------|-----------------------|--------------|
| Item Number | Part Number | Inlet Connection | Outlet Connection | Closing Flow |
| 111335 | A1705-45 | 1 1/4" MNPT | 1 1/4" FNPT | 45 GPM |
| 111381 | A1717-1120 | 2" MNPT | 2" FNPT | 110 GPM |
| 111356 | AL1710 | | | 95 GPM |
| 111340 | A1706 | 1 1/4" MNPT | 1 1/4" MNPT | 50 GPM |
| 111380 | A1718 | 1 1/2" MNPT | 1 1/2" MNPT | 60 GPM |
| 111347 | A1708-95 | 2" MNPT | 1 1/4" FNPT | 95 GPM |
| 111375 | A1715-165 | 3" MNPT | 2" MNPT | 165 GPM |
| 111382 | A1715-225 | | | 225 GPM |
| 111361 | AL1711 | 2" MNPT | 2" MNPT X 1 1/4" FNPT | 95 GPM |
| 111364 | A1713-165 | 3" MNPT | 3" MNPT X 2" FNPT | 165 GPM |
| 111365 | A1713-225 | | | 225 GPM |

Sizing Excess Flows - Refer To Local Codes.



A1717



AL1710



A1713

| Back Check Valves | | | | | |
|-------------------|-------------|------------------|-------------------|----------------|------------|
| Item Number | Part Number | Inlet Connection | Outlet Connection | Flow Indicator | Seat Type |
| 111383 | A1725 | 3/4" MNPT | 3/4" FNPT | No | Soft Seats |
| 111385 | A1727 | 1 1/4" MNPT | 1 1/4" FNPT | | |
| 111390 | A1728 | 2" MNPT | 2" FNPT | | |
| 111395 | A1729 | 3" MNPT | 3" FNPT | | |
| 111400 | A1733 | 2" MNPT | 2" MNPT | | |
| 111398 | A1730 | 1 1/4" FNPT | 1 1/4" FNPT | | |
| 111399 | A1731 | 1 1/2" FNPT | 1 1/2" FNPT | | |



A1729



A1730



A1733

| Fisher Back Check Valves | | | | | | |
|--------------------------|-------------|-------------------------------|------------------|-------------------|----------------|------------|
| Item Number | Part Number | Application | Inlet Connection | Outlet Connection | Flow Indicator | Seat Type |
| 120840 | G200-10 | In-Line Full Flow Swing Check | 1 1/4" FNPT | 1 1/4" FNPT | No | Soft Seats |
| 120845 | G200-16 | | 2" FNPT | 2" FNPT | | |
| 120847 | G200-24 | | 3" FNPT | 3" FNPT | | |
| 120850 | G201-10 | | 1 1/4" FNPT | 1 1/4" FNPT | Yes | |
| 120855 | G201-16 | | 2" FNPT | 2" FNPT | | |
| 120860 | G201-24 | | 3" FNPT | 3" FNPT | | |



G200-16



G201-16

| MEC Swing Check Valves | | | | | | |
|------------------------|-------------|--|-------------------|--------------|----------------|------------|
| Item Number | Part Number | Inlet Connection | Outlet Connection | Material | Flow Indicator | Seat Type |
| 154163 | ME981-6 | 3/4" FNPT | 3/4" FNPT | Ductile Iron | Yes | Soft Seats |
| 154168 | ME981-8 | 1" FNPT | 1" FNPT | | | |
| 154175 | ME981-10 | 1 1/4" FNPT | 1 1/4" FNPT | Ductile Iron | | |
| 154180 | ME981-16 | 2" FNPT | 2" FNPT | Cast Steel | | |
| 154190 | ME981-24 | 3" FNPT | 3" FNPT | Ductile Iron | | |
| 154205 | ME981-901K | Dial Indicator for 1 1/4" to 3" Valves | | | | |



ME981-6



ME981-10

TriPod Safety Couplers

| Item Number | Part Number | Inlet | Outlet | Capacity |
|-------------|-------------|-------------------|-------------------|----------|
| 113051 | TP-5 * | 1" MNPT | 1" MNPT | 55 GPM |
| 113056 | TP-6 * | | | 77 GPM |
| 113059 | TP-7 * | 1-1/4" MNPT | 1-1/4" MNPT | 126 GPM |
| 113065 | TP-4 | 3" MNPT X 2" FNPT | 3" MNPT X 2" FNPT | 350 GPM |

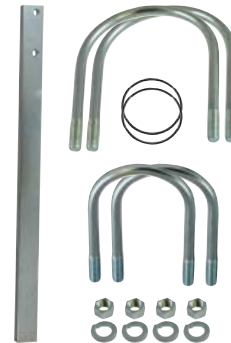
* Includes Bar / Hardware Kit For Riser Mounting.



TP4



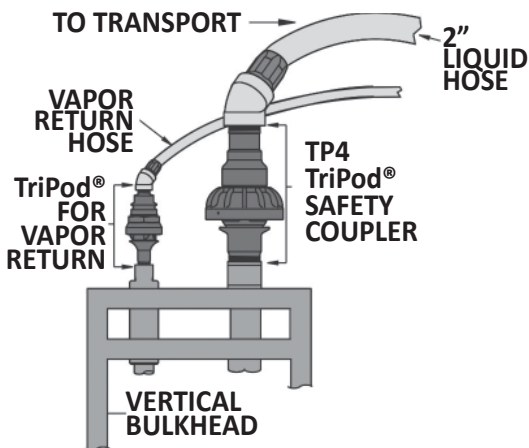
TP6



Hardware Kit

Transfer Area Bulkhead

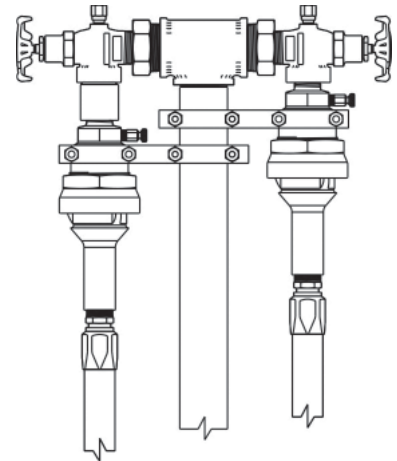
| Item Number | Part Number | Sleeve Style | Opening Sizes |
|-------------|-------------|--------------|------------------|
| 790000 | 1000 | Horizontal | 2" X 1 1/4" |
| 790005 | 1001 | | 3" X 2" |
| 790010 | 1002 | Vertical | 2" X 1 1/4" |
| 790015 | 1003 | | 3" X 2" |
| 790020 | 1006 | Horizontal | 2" X 1 1/4" X 3" |



Typical Bulkhead Installation



Horizontal



Typical Riser Installation

| TriPod Parts | | | | | | | |
|--------------|--------------|--------------------|-------------|---|-------------|-------------|-------------|
| Part Number | MFG Dates | Ball Socket O-Ring | | Body O-Ring | | O-Ring Kit | |
| | | Item Number | Part Number | Item Number | Part Number | Item Number | Part Number |
| T55 | 10/93-6/94 | 119406 | P5-086-RO | 119412 | P5-087-RO | 119418 | TP1-1304 |
| TP1-1000 | 10/93-5/97 | 119406 | P5-086-RO | 119412 | P5-087-RO | 119418 | TP1-1304 |
| TP1-1001 | 6/97-4/01 | 119406 | P5-086-RO | * Pinned - Factory Rebuild Only - Updates To TP5-1000 (Set Screw) | | | |
| TP5-1000 | 5/01-Present | 119406 | P5-086-RO | 119433 | P5-086-R1 | 119430 | TP5-0022 |
| T77 | 10/93-6/94 | 119408 | P5-091-RO | 119414 | P5-090-RO | 119420 | TP2-1304 |
| TP2-1000 | 10/93-2/98 | 119408 | P5-091-RO | 119414 | P5-090-RO | 119420 | TP2-1304 |
| TP2-1001 | 3/98-4/01 | 119408 | P5-091-RO | * Pinned - Factory Rebuild Only - Updates To TP6-1000 (Set Screw) | | | |
| TP6-1000 | 5/01-Present | 119408 | P5-091-RO | 119436 | P5-152-RO | 119431 | TP6-0022 |
| | | | | 119437 | P5-153-RO | | |
| T126 | 10/93-6/94 | 119410 | TP3-2020 | 119416 | TP3-2023 | 119422 | TP3-1304 |
| TP3-1000 | 10/93-6/94 | 119410 | TP3-2020 | 119416 | TP3-2023 | 119422 | TP3-1304 |
| TP3-1000 | 12/96-9/97 | 119423 | P5-095-R1 | 119434 | P5-094-RO | ----- | ----- |
| | | 119424 | P5-096-R1 | 119435 | P5-095-RO | | |
| TP3-1001 | 4/98-4/01 | 119423 | P5-095-R1 | * Pinned - Factory Rebuild Only - Updates To TP7-1000 (Set Screw) | | | |
| | | 119424 | P5-096-R1 | | | | |
| TP7-1000 | 5/01-Present | 119423 | P5-095-R1 | 119434 | P5-094-RO | 119432 | TP7-0022 |
| | | 119424 | P5-096-R1 | 119435 | P5-095-RO | | |

TP4 - Factory rebuild only.

| TriPod Accessories | | | | | | |
|----------------------|-------------|-------------|-------------|-------------|-------------|-------------|
| Part Description | Item Number | Part Number | Item Number | Part Number | Item Number | Part Number |
| Female Half | 113100 | TP5-1100 | 113110 | TP6-1100 | 113120 | TP7-1100 |
| Male Half | 113105 | TP5-1200 | 113115 | TP6-1200 | 113125 | TP7-1200 |
| Bar & Hardware Kit | 119400 | TP1-1301 | 119402 | TP2-1301 | 119404 | TP3-1301 |
| Male Ball Socket Kit | 119425 | TP55-1305 | 119427 | TP77-1305 | 119429 | TP126-1305 |



Female Half



Male Half

| Male Acme X MNPT | | | | | | |
|------------------|-------------|----------------------|-----------------|-------------|------------------------|--------------------------|
| Item Number | Part Number | Male Acme Connection | MNPT Connection | Acme Gasket | Steel Acme Cap & Chain | Plastic Acme Cap & Chain |
| 111415 | A2000S | 1 3/4" | 1/2" | ST-1102A-16 | A1152C | A2080C Strap |
| 111420 | A2001S | | 3/4" | | | |
| 111425 | A2002 | | 1" | | | |
| 111431 | A2003S | | 1 1/4" | | | |
| 111569 | A2076 | | 1 1/2" | | | |
| 111537 | A2059 | 2 1/4" | 1" | ST-1E8126 | A1175CS | ST-1177C |
| 111539 | A2060S | | 1 1/4" | | | |
| 111570 | A2077 | | 1 1/2" | | | |
| 111546 | A2063S | 3 1/4" | 2" | ST-1E8128 | A1176CS | ST-ME106-1 |
| 111556 | A2065S | | 3" | | | |



A2077

High Flow Pipe Strainers on P.29.

Acme O-Rings available on Page 77.

| Male Acme X Male Acme | | | | | | |
|-----------------------|-------------|----------------------|----------------------|-------------|------------------------|--------------------------|
| Item Number | Part Number | Male Acme Connection | Male Acme Connection | Acme Gasket | Steel Acme Cap & Chain | Plastic Acme Cap & Chain |
| 111436 | A2005S | 1 3/4" | 1 3/4" | ST-1102A-16 | A1152C | A2080C * |
| 111446 | A2007S | 2 1/4" | 2 1/4" | ST-1E8126 | A1175CS | ST-1177C |
| 122107 | ST-M536-26 | 3 1/4" | 3 1/4" | ST-1E8128 | A1176CS | ST-ME106-1 |
| 122109 | M536-34 | 4 1/4" | 4 1/4" | T10948 | M625-34 | ----- |



A2005S

* Includes Strap.

Acme O-Rings available on Page 77.

| Male Acme X FNPT | | | | | | |
|------------------|-------------|----------------------|-----------------|-------------|------------------------|--------------------------|
| Item Number | Part Number | Male Acme Connection | FNPT Connection | Acme Gasket | Steel Acme Cap & Chain | Plastic Acme Cap & Chain |
| 150571 | ST-M526-6 | 1 3/4" | 3/4" | ST-1102A-16 | A1152C | A2080C Strap |
| 111466 | A2013S | | 1" | | | |
| 111561 | A2074S | 3 1/4" | 2" | ST-1E8128 | A1176CS | ST-ME106-1 |
| 111566 | A2075S | | 3" | | | |



A2074S

High Flow Pipe Strainers on P.29.

Acme O-Rings available on Page 77.

| Adaptor Caps | | | | | | |
|--------------|-------------|----------------------|------------------------|-------------|------------------------|--------------------------|
| Item Number | Part Number | Male Acme Connection | Female Acme Connection | Acme Gasket | Steel Acme Cap & Chain | Plastic Acme Cap & Chain |
| 150573 | ST-M611S | 1 3/4" | 2 1/4" | ST-1102A-16 | A1152C | A2080C Strap |
| 122131 | ST-M622 | | 3 1/4" | | | |
| 122135 | M623 | 3 1/4" | 4 1/4" | ST-1E8128 | A1176CS | ST-ME106-1 |



ST-M622

Acme O-Rings available on Page 77.

Acme Caps & Filler Couplings



| Female Acme Caps & Plugs | | | | | | |
|--------------------------|-------------|---------------|-------------|-------------|---------------|------------------|
| Female Acme | Item Number | Part Number | Item Number | Part Number | Item Number | Part Number |
| | Plastic Cap | | Steel Cap | | Strap / Chain | |
| 1 3/4" | 111580 | A2080 + | ----- | ----- | 111587 | A2080-1003 Strap |
| | 111585 | A2080C # | ----- | ----- | | |
| 2 1/4" | ----- | ----- | 110680 | A1152C * | 150553 | MEP167 Chain |
| | 111586 | ST-1177 * | ----- | ----- | | |
| 3 1/4" | ----- | ----- | 110696 | A1175CS * | | |
| 4 1/4" | ----- | ----- | 110701 | A1176CS * | | |
| | ----- | ----- | 122140 | M625-34 | | |
| Plastic Plug | | Aluminum Plug | | Chain | | |
| 1 3/4" | 121711 | ST-M179-1 * | 121792 | ST-M239 | 150553 | MEP167 Chain |
| 2 1/4" | 121716 | ST-M180-1 * | ----- | ----- | | |
| 3 1/4" | 121728 | ST-M181-1 * | Steel Plug | | | |
| 4 1/4" | ----- | ----- | 122095 | M535-34 | | |

* Chain included. # Strap. + P148 Chain optional.



A2080C



A1152C



A1176CS

| Filler Couplings | | | | |
|------------------|-------------|-------------|------------------|----------|
| Item Number | Part Number | Female Acme | Inlet Connection | Length |
| 110665 | A1149F | 1 3/4" | 1/2" MNPT | 3 1/8" |
| 110670 | A1150FS | | 3/4" MNPT | |
| 110675 | A1151F | | 1" MNPT | |
| 110683 | A1156FS | 2 1/4" | 1 1/4" MNPT | 3 1/4" |
| 110686 | A1157FS | 3 1/4" | 2" MNPT | 3 11/16" |
| 122155 | M634-24 | 4 1/4" | 3" FNPT | 2" |
| 110641 | A1130FS | 1 3/4" | 3/4" MNPT | 7 3/16" |
| 110645 | A1131F | | 1" MNPT | |
| 110650 | A1132F | 2 1/4" | 1 1/4" MNPT | |
| 110651 | A1133F | | 1 1/2" MNPT | |
| 111433 | ST2004S | 1 3/4" | 2 1/4" M. Acme | 2" |



A1150F



A1156FS



A1131F



ST2004S

Hi-Flow Pipe Strainers

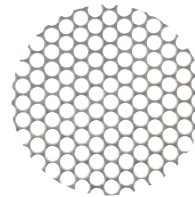
| Item Number | Part Number | Inlet | Outlet |
|-------------|-------------|---|------------------|
| 111396 | AL1750 | 2" FNPT | 2" MNPT |
| 111547 | A2063-STR | 2" MNPT | 3 1/4" Male Acme |
| 111549 | A2065-STR | 3" MNPT | |
| 111551 | A2074-STR | 2" FNPT | |
| 111553 | A2075-STR | 3" FNPT | |
| 150588 | ME251-02 | Replacement 3 1/4" Acme Strainer Screen | |
| 150589 | ME251-03 | Retaining Ring For ME251-02 | |



AL1750



A2063-STR



ME251-02



ME251-03

Ductile Iron Y-Strainers - 400 WOG

| Item Number | Size, MNPT | Plug Size | Item Number | Size, MNPT | Plug Size |
|-------------|-------------|-----------|-------------|-------------|-----------|
| 200710 | 1/4" FNPT * | 3/8" | 200707 | 1 1/4" FNPT | 3/4" |
| 200714 | 1/2" FNPT | 1/2" | 200728 | 1 1/2" FNPT | 1" |
| 200716 | 3/4" FNPT | | 200725 | 2" FNPT | |
| 200712 | 1" FNPT | 3/4" | 200726 | 3" FNPT | 1 1/4" |



200725

40 Mesh standard - 20 & 80 Mesh screen sizes available. *Has 20 mesh screen. Plugs sold on Page 49.

Acme Spanner Wrench

| Item Number | Part Number | Length |
|-------------|-------------|---------|
| 122631 | MEP120B | 17 1/2" |



MEP120B



ME200

Wheel Chock

| Item Number | Part Number | Height | Length | Width |
|-------------|-------------|--------|--------|-------|
| 360200 | ME200 | 7" | 10" | 7" |

Parking Plugs & Liquid Level Vent Valves



| Parking Plugs | | | |
|---------------|-------------|------------------|---------------------|
| Item Number | Part Number | Size | Includes |
| 111461 | A2014 | 1 3/4" Male Acme | ----- |
| 111462 | A2014B | | Bolt, Nut, & Washer |
| 111500 | A2024 | 2 1/4" Male Acme | ----- |



A2024



A2014B

| Liquid Level Vent Valves | | | |
|--------------------------|-------------|--|-----------|
| Item Number | Part Number | Description | Size |
| 111405 | A1910S | Fixed Liquid Level Gauge - 12" Diptube | 1/4" MNPT |
| 111410 | A1911 | Liquid Level Valve - Knurled Handle | |
| 111411 | A1912 | Liquid Level Valve - Tee Handle | |
| 110437 | AL404 | Liquid Level Valve | 3/4" MNPT |
| 110438 | AL404-1 | AL404 with 0-400 PSIG Pressure Gauge & A1911 | |



A1911



A1912



AL404



A1910S



AL404-1

| Pressure Gauges | | | | |
|-----------------|--------------------------------------|-----------|---------------|----------------------|
| Item Number | Range PSI | Dial Size | Dial Type | Size MNPT |
| 290615 | 0-60 | 2 1/2" | Dry | 1/4" Bottom Mount |
| 290620 | 0-160 | | | |
| 290625 | 0-400 | | | |
| 290632 | 0-60 | 4" | | |
| 290633 | 0-160 | | | |
| 290634 | 0-400 | | | |
| 290648 | 0-60 | 2 1/2" | Liquid Filled | 1/4" Back Mount |
| 290647 | 0-400 | | | |
| 290636 | 0-400 | | Dry | |
| 290635 | 0-400 | | | |
| 290646 | Replacement Lens For Pressure Gauges | | | |



290632



290646



290635

| Gauge Snubber | | | | |
|---------------|-------------|--------------------------------|--------------|--------------|
| Item Number | Part Number | Type | Inlet | Outlet |
| 141031 | ST-1449 | Stainless Steel w/ 54 Drill | 1/4" MNPT | 1/4" FNPT |



ST-1449

| Container Thermometers | | | |
|------------------------|-------------|-----------------|-------------|
| Item Number | Part Number | Tank Connection | Stem Length |
| 121245 | ST-J700 | 1/2" MNPT | 4" |
| 121250 | ST-J701 | | 6" |



ST-J700

| Valve Locking Device | |
|----------------------|---|
| Item Number | Description |
| 360137 | Fits Standard Globe, Angle, & Tank Valves From 3/4" To 2" (Up To 4 3/4" Handwheel Diameter) |
| 360138 | Fits Standard 3" Globe & Angle Valves (Up To 8" Handwheel Diameter) |



360138

Ball Valves, Needle Valves, & Sight Flows



| Jomar Stainless Steel Ball Valves | | | | | | | | | | |
|-----------------------------------|-------------------|---------|---------|---------|---------|---------|---------|---------|---------|---------|
| | Part Description | 1/4" | 3/8" | 1/2" | 3/4" | 1" | 1 1/4" | 1 1/2" | 2" | 3" |
| Item Number | Full Port | 223142 | 223143 | 223138 | 223131 | 223132 | 223133 | 223139 | 223134 | ----- |
| Part Number | | 100-961 | 100-962 | 100-963 | 100-964 | 100-965 | 100-966 | 100-967 | 100-968 | |
| Item Number | 3 Piece Full Port | 223725 | 223728 | ----- | 223718 | 223724 | 223719 | 223721 | 223720 | 223723 |
| Part Number | | 500-301 | 500-302 | ----- | 500-304 | 500-305 | 500-306 | 500-307 | 500-308 | 500-310 |



100-966



500-306



73A-106

| Apollo Steel Ball Valves | | | | | | | | | | |
|--------------------------|----------------------------|---------|---------|---------|---------|---------|---------|---------|---------|-------|
| | Part Description | 1/4" | 3/8" | 1/2" | 3/4" | 1" | 1 1/4" | 1 1/2" | 2" | 3" |
| Item Number | Carbon Steel Standard Port | 198450 | 198455 | 198460 | 198465 | 198470 | 198475 | 198480 | 198485 | ----- |
| Part Number | | 73A-101 | 73A-102 | 73A-103 | 73A-104 | 73A-105 | 73A-106 | 73A-107 | 73A-108 | |

| Needle Valves | | | | |
|---------------|-------------|------------|-----------|-----------|
| Item Number | Part Number | Body Style | Inlet | Outlet |
| 118203 | V556CDT-H7 | Globe | 1/4" MNPT | 1/4" FNPT |
| 118204 | V552CDT-H7 | Angle | | |



V556CDT-H7

| In-Line Sight Flow | | |
|--------------------|-------------|-----------------------------|
| Item Number | Part Number | Description |
| 111401 | A1742 | 2" Sight Flow |
| 150622 | ME875S-16 | 2" Sight Flow Swing Check * |
| 111402 | A1743 | 3" Sight Flow |
| 150623 | ME875S-24 | 3" Sight Flow Swing Check * |
| 111403 | A483 | 2" Sight Glass Tee |

* Soft Seat.



A483



A1742



ME875S-16

Air Accessories

| Item Number | Part Number | Part Description |
|-------------|--|--------------------------------|
| 404200 | 250V-3-10-21 | Pull Lever Actuating Air Valve |
| 404185 | M3820602 | Lexair Valve — Push Button |
| 404206 | NB-4-035 | 1/4" Poly Tubing |
| 650088 | Push To Close Decal — Electric or Air | |
| 404186 | ESV Sign Post For Lexair Valve — Electric or Air | |
| 113802 | RSD-SVH-AA | Solenoid Valve Module |



M3820602



ESV Sign Post



250V-3-10-21



V-82



RSD-SVH-AA



NB-4-035

| Pneumatic Tubing Push Connectors | | |
|----------------------------------|-------------|----------------------------------|
| Item Number | Part Number | Part Description |
| 404300 | 32095611 | 1/4" Tube X 1/8" MNPT 90° |
| 404302 | 32095614 | 1/4" Tube X 1/4" MNPT 90° |
| 404304 | 32755611 | 1/4" Tube X 1/8" MNPT |
| 404306 | 32755614 | 1/4" Tube X 1/4" MNPT |
| 404308 | 31085611 | 1/4" Tube X 1/8" MNPT Branch Tee |
| 404310 | 31085614 | 1/4" Tube X 1/4" MNPT Branch Tee |
| 404312 | 32065600 | 1/4" Coupling |
| 404314 | 32045600 | 1/4" Tube Tee |



32095614



32755614



31085614



32045600

Other Fittings Available.

| RSD E-Box & Accessories | | |
|-------------------------|-------------|---|
| Item Number | Part Number | Part Description |
| 113800 | RSD E-Box | Storage Remote Shutdown |
| 113801 | CV-Box | 15 Amp Converter Box |
| 113805 | RSD-E1 | 1 - Function Transmitter |
| 113806 | E-Stop5A | Push To Close Button — Electric 5 Amp |
| 113813 | E-Stop15A | Push To Close Button — Electric 15 Amp |
| 113802 | RSD-SVH-AA | Solenoid Valve Module For Air Actuators |



RSD E-Box



CV-Box



RSD-E1



E-Stop5A



E-Stop15A



RSD-SVH-AA

P810 & Fisher Emergency Shutoff Valves

| Electronic Actuator For ESV | | |
|-----------------------------|-------------|--|
| Item Number | Part Number | Description |
| 122939 | P810 | 12 Volt Electronic Actuator for N550/551 ESV Anhydrous Ammonia (NH3) Service Only. |
| 113807 | P810-R | P810 Bracket for Rego |



N551 / P810 Open



P810

| Fisher Emergency Shutoff Valves | | | |
|---------------------------------|-------------|----------------------------|------------|
| Item Number | Part Number | Body Size | Flow - NH3 |
| 122586 | N551-10 | 1 1/4" FNPT | 47 GPM |
| 122589 | N551-16 | 2" FNPT | 70 GPM |
| 122596 | N551-24 | 3" FNPT | 178 GPM |
| 122588 | N562-26 * | 2" FNPT X 3 1/4" Male Acme | 180 GPM |

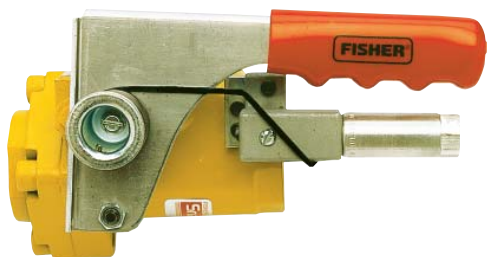
* For Railroad tank cars. Pneumatically operated with Quick Disconnect Coupling (included).



N551-10



N562-26



N551 & P327D



N551 & P539A

| N550 & N551 Actuators & Accessories | | | |
|-------------------------------------|--------------|------------------------------|-------------|
| Item Number | Part Number | Part Description | Fits |
| 122927 | P327D | Actuator - Close Only | N550 & N551 |
| 122937 | P539A | Actuator - Open / Close | N550 & N551 |
| 122692 | P164B | 50' Cable Release Assembly | N550 & N551 |
| 122978 | P551 | Helper Spring Kit | N550 & N551 |
| 122979 | P551A | Helper Spring Kit With P327D | N550 & N551 |
| 129079 | T13090-T0012 | Packing Assembly Kit | N550 |
| 125047 | RCN551T0012 | | N551 |
| 129078 | T12963-T0012 | Latch Block Assembly | N550 & N551 |
| 129896 | T13500-T0012 | Fuse Link Assembly | N550 & N551 |



P327D



P539A



P164B



P551



P551A

| Allegheny | |
|-------------|--------------------------------|
| Item Number | Part Description |
| 403050 | Single Lever Control |
| 403057 | Double Lever Control |
| 403059 | Triple Lever Control |
| 403051 | 20040A001 Adjusting Bolt Steel |



403057



403051

| MEC Emergency Shutoff Valves | | | | | | | | |
|------------------------------|--------------|---------------------|------------|--------------|-----------------|--------------|--------------|---------|
| Item Number | Part Number | Body Size | Latch Type | Material | Flange Material | OAL | | |
| 154450 | ME980-6 | 3/4" FNPT | Pneumatic | ----- | ----- | 4 3/4" | | |
| 154460 | ME980-8 | 1" FNPT | | | | | | |
| 154500 | ME980-10 | 1 1/4" FNPT | Cable | Ductile Iron | Ductile Iron | 5 3/8" | | |
| 154515 | ME980C-10 | | | | | | | |
| 154525 | ME980-16 | 2" FNPT | Pneumatic | | Cast Iron | 6 7/8" | | |
| 154540 | ME980C-16 | | Cable | | | | | |
| 154550 | ME980-24 | 3" FNPT | Pneumatic | | Ductile Iron | 9 5/8" | | |
| 154565 | ME980C-24 | | Cable | | | | | |
| 154570 | ME980-16-2F | 2" - 300 Lb. Flange | Pneumatic | | | Ductile Iron | 11 7/8" | |
| 154585 | ME980C-16-2F | | Cable | | | | | |
| 154590 | ME980-24-3F | 3" - 300 Lb. Flange | Pneumatic | | | | Ductile Iron | 14 1/8" |
| 154605 | ME980C-24-3F | | Cable | | | | | |
| 154610 | ME980-24-4F | 4" - 300 Lb. Flange | Pneumatic | Ductile Iron | | | | 14 1/4" |
| 154625 | ME980C-24-4F | | Cable | | | | | |

To order ESV with Pneumatic Actuator add "A" after the prefix part number i.e. ME980A-10.

To order ESV with Rotary Actuator add "AR" after the prefix part number i.e. ME980AR-10.



ME980-6



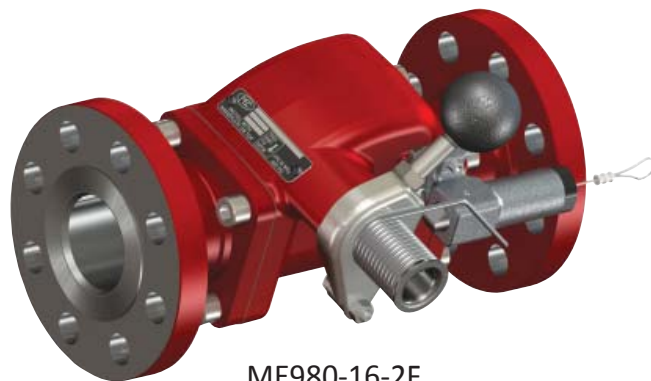
ME980-10



ME980-24



ME983



ME980-16-2F

| MEC Railcar ESV | | | |
|-----------------|--------------|-----------|------------------|
| Item Number | Part Number | Body Size | Closing Flow GPM |
| 154400 | ME983-16/500 | 2" FNPT | 450 |

| MEC ESV Air Actuators | | | | |
|-----------------------|-------------|--------|---|---|
| Item Number | Part Number | Type | Operating Pressure Limits | Fits |
| 150602 | ME551 | Air | Minimum = 20 PSIG Maximum = 125 PSIG Recommended = 20 - 25 PSIG | ME980-10, ME980-16, ME980-16-2F, ME980-24, ME980-24-3F, & ME980-24-4F |
| 150609 | ME552 | Rotary | | |



ME551



ME552

| MEC ESV Accessories | | | |
|---------------------|--------------|---|----------------------|
| Item Number | Part Number | Type | Description |
| 154640 | ME980-905 | Universal ESV/Internal Valve Remote Release | No Cable |
| 154642 | ME980-905-25 | | W/25' Cable |
| 154643 | ME980-905-50 | | W/50' Cable |
| 154645 | ME980-906-25 | Remote Release Cable Assembly | 5/16-24UNF — 25' OAL |
| 154647 | ME980-906-50 | | 5/16-24UNF — 50' OAL |



ME980-905



ME980-905-25

| Fisher Threaded Internal Valves | | | | | |
|---------------------------------|----------------------------|-------------|------------------------|-----------------|-------------------|
| Item Number | Straight Body (One Outlet) | Item Number | Tee Body (Two Outlets) | Tank Connection | Outlet Connection |
| 120430 | C407-10-03 | ----- | ----- | 1 1/4" MNPT | 1 1/4" FNPT |
| 120438 | C407M-10-03 * | | | | |
| 120435 | C407-10-05 | | | | |
| 120428 | C407M-10-05 * | ----- | ----- | | |
| 120440 | C407-10-08 | | | | |
| 120442 | C407M-10-08 * | | | | |
| 120448 | C477-16-105 | 120301 | C471-16-105 | 2" MNPT | 2" FNPT |
| 120451 | C477-16-150 | 120306 | C471-16-150 | | |
| 120458 | C477-16-250 | 120311 | C471-16-250 | | |
| 120461 | C477-24-160 | 120313 | C471-24-160 | 3" MNPT | 3" FNPT |
| 120471 | C477-24-260 | 120321 | C471-24-260 | | |
| 120476 | C477-24-375 | 120326 | C471-24-375 | | |
| 120484 | C477-24-460 | 120331 | C471-24-460 | | |

* Includes a factory installed Type P340 / P341 latch.



C407



C407M



C471



C477

| Fisher 3-Inch Flanged Internal Valves | | | | | |
|---------------------------------------|---------------|-------------|---------------|--|-----------------------|
| Item Number | Single Flange | Item Number | Double Flange | Tank Connection | Outlet Connection |
| 120381 | C484-24-160 | 120362 | C483-24-160 | 3" 300 Lb. ANSI RF Modified (4 5/8" Dia. Bore) | 3" 300 Lb. ANSI RF |
| 120386 | C484-24-250 | 120371 | C483-24-260 | | |
| 120396 | C484-24-400 | 120376 | C483-24-400 | | |



C484



C483

| Fisher 4-Inch Flanged Internal Valves | | | | |
|---------------------------------------|--------------|------------------|--|--------------------|
| Item Number | Part Number | Actuation | Tank Connection | Outlet Connection |
| 120400 | C404-32-400 | Cable | 4" 300 Lb. ANSI RF Modified (5 7/8" Dia. Bore) | 4" 300 Lb. ANSI RF |
| 120405 | C404-32-600 | | | |
| 120406 | C404-32-800 | | | |
| 120415 | C404A-32-400 | Air With P614 | | |
| 120416 | C404A-32-600 | | | |
| 120417 | C404A-32-800 | | | |
| 120420 | C404M-32-400 | Manual With P313 | | |
| 120425 | C404M-32-600 | | | |
| 120426 | C404M-32-800 | | | |



C404-32



C404A-32



C404M-32

| Fisher Internal Valve Repair Kits | | | |
|-----------------------------------|-------------|-----------------------------|---|
| Item Number | Part Number | For Type Number | Kit Contents |
| 125010 | RC40016T012 | C402-16, C421-16, & C427-16 | Discs, Packing, Stub Shaft, O-Rings, Cotter Pin, & Washer |
| 125015 | RC40024T012 | C402-24, C421-24, & C427-24 | |
| 125020 | RC40324T012 | C403-24 | |
| 128025 | RC40424T012 | C404-24 | |
| 125030 | RC40710T012 | C407-10 | Discs, Packing, & O-Ring |
| 125012 | RC47016T012 | C471-16 & C477-16 | Discs, Packing, Stub Shaft, O-Rings, Cotter Pin, & Washer |
| 125017 | RC47024T012 | C471-24 & C477-24 | |
| 125022 | RC48324T012 | C483-24 | |
| 125023 | RC48424T012 | C484-24 | |
| 125041 | RFC40432T12 | C204-43 & C404-32 | Packing Retrofit Kit March 2012 & Prior |
| 125044 | ERAA03396A0 | C204-43 & C404-32 | Cable Pull Hardware Kit March 2012 & Prior |
| 125037 | T11396000B2 | C404-32 | Packing Parts Kit After March 2012* |
| 125039 | T11396000C2 | C404-32 | Valve Repair Kit Less Packing - All Years |
| 129414 | ERSA03240A0 | C404-32 | 4" Spirotallic Flange Gasket |

* Use only after retrofit of Type RFC404 Kit.

Fisher Internal Valve Air Actuators

| Item Number | Part Number | Fits | Type | Obsolete Part Number | Supply Pressure Range, PSIG / bar |
|-------------|-------------|--------------------------------|---------------|----------------------|-----------------------------------|
| 122931 | P389 | C407-10 | Cylinder | ----- | 60 / 4,1 to 250 / 17,2 |
| 122988 | P731 | | Rotary | | 50 / 3,5 to 125 / 8,6 |
| 122936 | P613 | C404-24 & C484-24 | Brake Chamber | <i>P326-7</i> | 20 / 1,4 to 12 / 8,6 |
| 122990 | P713 | | Rotary | ----- | 25 / 1,7 to 125 / 8,6 |
| 122933 | P623 | C403-24 & C483-24 | Brake Chamber | <i>P326-5</i> | 20 / 1,4 to 12 / 8,6 |
| 122991 | P723 | | Rotary | ----- | 25 / 1,7 to 125 / 8,6 |
| 122934 | P639A | C402, C421, C427, C471, & C477 | Brake Chamber | <i>P326-6</i> | 20 / 1,4 to 12 / 8,6 |
| 122989 | P739 | | Rotary | ----- | 25 / 1,7 to 125 / 8,6 |
| 122932 | P614A | C404-32 | Brake Chamber | <i>P312</i> | 40 / 2,8 to 125 / 8,6 |
| 122992 | P714 | | Rotary | ----- | 40 / 2,8 to 125 / 8,6 |



P389



P614A



P613



P623



P639



P731

Valves Not Included



P723

Fisher Internal Valve Cable Latches



| Fisher Internal Valve Cable Latches | | | | |
|-------------------------------------|-------------|-----------------------|------------------|-----------------------|
| Item Number | Part Number | For Type Size | Release Type | |
| 122912 | P340 | 2" & 3" | Latch | |
| 122925 | P341 | 1 1/4" | | |
| 122919 | P342 | | | Bi-Directional Latch |
| 122685 | P163A | 1 1/4", 2" 3" & 4" | Auxiliary Remote | |
| 122690 | P164A | | | |
| 122985 | P650 | | | Primary Cable Control |
| 122987 | P651 * | | | |
| 122860 | P314 | 4" | Cable Assembly | |
| 122855 | P313 # | | | Latch |
| 122865 | P315 | | | Auxiliary Remote |

* Type P651 is a primary control only, no accessories. # Use with Type P315 remote release mechanism.



P340



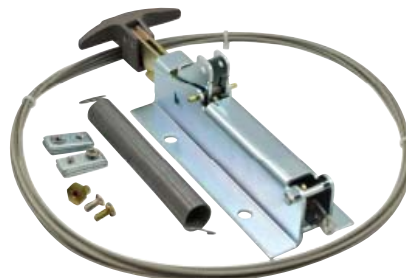
P341



P342



P163A — 25'
P164A — 50'



P650



P651



P313



P314



P315

| MEC 1 1/4" Threaded Internal Valves | | | | | |
|-------------------------------------|---------------|---------------------------|--------------------------|-----------------|-------------------|
| Item Number | Part Number | Liquid Closing Flow Value | Actuation | Tank Connection | Outlet Connection |
| Straight Body (One Outlet) | | | | | |
| 153920 | ME990-10-35 | 35 GPM | Valve Only | 1 1/4" MNPT | 1 1/4" FNPT |
| 153925 | ME990-10-55 | 55 GPM | | | |
| 153930 | ME990-10-85 | 85 GPM | | | |
| 153965 | ME990M-10-35 | 35 GPM | Manual With ME990-10-902 | | |
| 153970 | ME990M-10-55 | 55 GPM | | | |
| 153975 | ME990M-10-85 | 85 GPM | Air With ME205 | | |
| 153945 | ME990A-10-85 | | Rotary With ME225 | | |
| 153960 | ME990AR-10-85 | | | | |
| Tee Body (Two Outlets) | | | | | |
| 150288 | ME992-10-85 | 85 GPM | Valve Only | 1 1/4" MNPT | 1 1/4" FNPT (2) |

These valves are available with Kalrez®, Neoprene, & Viton® Trims.



ME990-10-85



ME990-16-160

| MEC 2" Threaded Internal Valves | | | | | |
|---------------------------------|----------------|---------------------------|-----------------------|-----------------|-------------------|
| Item Number | Part Number | Liquid Closing Flow Value | Actuation | Tank Connection | Outlet Connection |
| 153480 | ME990-16-110 | 110 GPM | Valve Only | 2" MNPT | 2" FNPT |
| 153485 | ME990-16-160 | 160GPM | | | |
| 153490 | ME990-16-260 | 260 GPM | | | |
| 153530 | ME990M-16-160 | 160GPM | Manual With MEP990-24 | | |
| 153535 | ME990M-16-260 | 260 GPM | | | |
| 153505 | ME990A-16-260 | 260GPM | Air With ME206 | | |
| 153520 | ME990AR-16-260 | 260 GPM | Rotary With ME226 | | |

These valves are available with Kalrez®, Neoprene, & Viton® Trims.

| MEC 2" Threaded Tee Body Internal Valves | | | | | |
|--|----------------|---------------------------|--------------------------|-----------------|-------------------------|
| Item Number | Part Number | Liquid Closing Flow Value | Actuation | Tank Connection | Outlet Connection |
| 154800 | ME992-16-160 | 160 GPM | Valve Only | 2" MNPT | 2" FNPT X 2" FNPT |
| 150290 | ME992-16-260 | 260 GPM | | | |
| 154825 | ME992M-16-160 | 160 GPM | Manual With MEP990-24 | | |
| 154830 | ME992M-16-260 | 260 GPM | | | |
| 154805 | ME992A-16-160 | 160 GPM | Air With ME206 | | |
| 154810 | ME992A-16-260 | 260 GPM | | | |
| 154815 | ME992AR-16-160 | 160 GPM | Rotary With ME226 | | |
| 154820 | ME992AR-16-260 | 260 GPM | | | |

These valves are available with Kalrez®, Neoprene, & Viton® Trims.



ME992M-16-160



ME990-24-400

| MEC 3" Threaded Internal Valves | | | | | |
|---------------------------------|----------------|---------------------------|-------------------|-----------------|-------------------------|
| Item Number | Part Number | Liquid Closing Flow Value | Actuation | Tank Connection | Outlet Connection |
| 153340 | ME990-24-175 | 175 GPM | Valve Only | 3" MNPT | 3" FNPT X 3" FNPT |
| 153345 | ME990-24-250 | 250 GPM | | | |
| 153350 | ME990-24-300 | 300 GPM | | | |
| 153355 | ME990-24-375 | 375 GPM | | | |
| 153360 | ME990-24-400 | 400 GPM | | | |
| 153370 | ME990-24-500 | 500 GPM | | | |
| 153430 | ME990AR-24-400 | 400 GPM | Rotary With ME226 | | |

These valves are available with Kalrez®, Neoprene, & Viton® Trims.

MEC 3" Threaded Tee Body Internal Valves

| Item Number | Part Number | Liquid Closing Flow Value | Actuation | Tank Connection | Outlet Connection |
|-------------|----------------|---------------------------|-----------------------|-----------------|-------------------|
| 154855 | ME992-24-175 | 175 GPM | Valve Only | 3" MNPT | 3" FNPT |
| 150283 | ME992-24-250 | 250 GPM | | | |
| 150285 | ME992-24-375 | 375 GPM | | | |
| 150295 | ME992-24-400 | 400 GPM | | | |
| 150298 | ME992-24-500 | 500 GPM | | | |
| 154895 | ME992M-24-250 | 250 GPM | Manual With MEP990-24 | | |
| 154900 | ME992M-24-400 | 400 GPM | | | |
| 154905 | ME992M-24-500 | 500 GPM | | | |
| 154860 | ME992A-24-250 | 250 GPM | Air With ME206 | | |
| 154865 | ME992A-24-400 | 400 GPM | | | |
| 154870 | ME992A-24-500 | 500 GPM | | | |
| 154875 | ME992AR-24-175 | 175 GPM | Rotary With ME226 | | |
| 154880 | ME992AR-24-250 | 250 GPM | | | |
| 154885 | ME992AR-24-400 | 400 GPM | | | |
| 154890 | ME992AR-24-500 | 500 GPM | | | |

These valves are available with Kalrez®, Neoprene, & Viton® Trims.



ME992M-24-400



ME990S-3DF-400

MEC 3" Double Flanged Internal Valves

| Item Number | Part Number | Liquid Closing Flow Value | Actuation | Tank Connection | Outlet Connection |
|-------------|------------------|---------------------------|-------------------|-----------------|-------------------|
| 153650 | ME990S-3DF-175 | 175 GPM | Valve Only | 3" Flange | 3" Flange |
| 153655 | ME990S-3DF-250 | 250 GPM | | | |
| 153660 | ME990S-3DF-300 | 300 GPM | | | |
| 153665 | ME990S-3DF-375 | 375 GPM | | | |
| 153670 | ME990S-3DF-400 | 400 GPM | | | |
| 153690 | ME990SA-3DF-250 | 250 GPM | Air With ME207 | | |
| 153705 | ME990SA-3DF-400 | 400 GPM | | | |
| 153725 | ME990SAR-3DF-250 | 250 GPM | Rotary With ME227 | | |
| 153740 | ME990SAR-3DF-400 | 400 GPM | | | |

These valves are available with Kalrez®, Neoprene, & Viton® Trims.

MEC Internal Valves & Repair Kits



| MEC 4" Flanged Internal Valves | | | | |
|--------------------------------|-------------------|---------------------------|-----------------------|--------------------------|
| Item Number | Part Number | Liquid Closing Flow Value | Actuation | Tank & Outlet Connection |
| 153000 | ME990-4F-375 | 375 GPM | Valve Only | 4" Flange |
| 153005 | ME990-4F-500 | 500 GPM | | |
| 153010 | ME990-4F-650 | 650 GPM | | |
| 153015 | ME990-4F-850 | 850 GPM | | |
| 153180 | ME990M-4F-375 | 375 GPM | Manual With MEP990-4F | |
| 153185 | ME990M-4F-500 | 500 GPM | | |
| 153190 | ME990M-4F-650 | 650 GPM | | |
| 153195 | ME990M-4F-850 | 850 GPM | | |
| 153060 | ME990A-4F-375 | 375 GPM | Air With ME208SF | |
| 153065 | ME990A-4F-500 | 500 GPM | | |
| 153070 | ME990A-4F-650/5 * | 650 GPM | | |
| 153075 | ME990A-4F-850 | 850 GPM | | |
| 153120 | ME990AR-4F-375 | 375 GPM | Rotary With ME228 | |
| 153125 | ME990AR-4F-500 | 500 GPM | | |
| 153160 | ME990AR-4F-650 | 650 GPM | | |
| 153135 | ME990AR-4F-850 | 850 GPM | | |



ME990-4F-650



ME990M-4F-650



ME990A-4F-650

These valves are available with Kalrez®, Neoprene, & Viton® Trims.
 * Comes with a 5 Mesh Screen.

| MEC Internal Valve Repair Kits | | | |
|--------------------------------|--------------|-------------------------------|----------------------------------|
| Item Number | Part Number | Part Description | Fits |
| 153985 | ME990-10-VRK | Rebuild Kit | ME990-10 & ME992-10 |
| 153990 | ME990-10-SRK | Seal Repair Kit | |
| 153995 | ME990-10-PRK | Stem Packing Repair Kit | |
| 153625 | ME990-16-VRK | Rebuild Kit | ME990-16 & ME992-16 |
| 153630 | ME990-16-SRK | Seal Repair Kit | |
| 153580 | ME990-PRK | Stem Packing Repair Kit | |
| 153570 | ME990-24-VRK | Valve Repair Kit | ME990-24, ME992-24, & ME990S-3DF |
| 153575 | ME990-24-SRK | Valve Seal Repair Kit | |
| 153580 | ME990-PRK | Valve Stem Packing Repair Kit | |
| 153245 | ME990-4F-VRK | Rebuild Kit | ME990-4F |
| 153250 | ME990-4F-SRK | Seal Repair Kit | |
| 153255 | ME990-4F-PRK | Stem Packing Repair Kit | |
| 127983 | T10561-38992 | 3" Spirotallic Flange Gasket | ME990S-3DF |
| 127990 | Garlock 5500 | 3" Fiber Flange Gasket | |
| 128346 | ME990-4F-172 | 4" Spirotallic Flange Gasket | ME990-4F |

MEC Internal Valve Air Actuators

| Item Number | Part Number | Operating Pressure Limits | Fits |
|-------------|-------------|---|------------------------------------|
| 150581 | ME205 | Minimum = 20 PSIG Maximum = 125 PSIG Recommended = 20 - 25 PSIG | ME990-10 |
| 150587 | ME205R | | RegO® A3209R |
| 150578 | ME207SF | | Fisher® C404-24-24 & C484-24 |
| 150577 | ME207 | | ME990S-3DF & ME990S-3DFM |
| 150576 | ME206 | | ME990-16, ME990-24, & ME990S-3F-24 |
| 150579 | ME208SF | | ME990-4F |
| 150592 | ME710 | | RegO® Flowmatic® Three-Way Valve |



ME205



ME207



ME207SF



ME206



ME208SF

Actuator Accessories For Nitrogen Service

| Item Number | Part Number | Inlet | Outlet | Part Description |
|-------------|-------------|------------|---------------------|--|
| 150583 | ME707 | 3/8" FNPT | 3/8" FNPT (2 Ports) | Quick Release Valve Used To Decrease Response Time When Closing Actuators. |
| 150584 | ME708 * | 1/4" FNPT | 1/4" FNPT | 0-150 PSIG Air Pressure Regulator. |
| 750815 | PF-052FM | | 1/4" MNPT | |
| 750804 | PF-0532 | 3/8" Flare | 1/4" FNPT | Trap-All Gas/Air Filter for Actuator Systems. |

* Universal Mounting Bracket Included.



ME707



ME708



PF-052FM

| PowerTorq Rotary Actuators | | | | |
|----------------------------|-------------|--------------|--|------------------|
| Item Number | Part Number | Type | Fits MEC | Internal Valve |
| 150690 | ME225 | Direct Drive | ME990-10 | 1 1/4" Threaded |
| 150582 | ME226 | | ME990-16, ME992-16, ME990-24, ME992-24, ME990S-2F-16, & ME990S-3F-24 | 2" & 3" Threaded |
| 150693 | ME227 | | ME990S-3DF, ME990S-3DFM, & ME990S-3DFO | 3" Double Flange |
| 150695 | ME228 | | ME990-4F | 4" Single Flange |



ME225



ME225 Mounted to Valve with ME707

ME707 & Internal valve not included.

| MEC Internal Valve Accessories | | | |
|--------------------------------|--------------|---------------------|----------------------------------|
| Item Number | Part Number | Fits | Part Description |
| 153980 | ME990-10-902 | ME990-10 | Manual Latch Assembly |
| 153540 | MEP990-24 | ME990-16 & ME990-24 | |
| 153240 | MEP990-4F | ME990-4F | |
| 153545 | MEP650 * | All Sizes | Open/Close Cable Control Release |
| 153550 | MEP651 | | |

* With 50' Cable.



ME990-10-902



MEP990-24



MEP651



MEP990-4F

| Forged Steel Fittings | | | | | | | | |
|------------------------------|-----------------|----------|--------|---------|------------------------------|-----------|----------------|--------|
| 2000 Lbs., A105, ANSI B16.11 | | | | | 3000 Lbs., A105, ANSI B16.11 | | | |
| Pipe Size, FNPT | Type Of Fitting | | | | | | | |
| | 90 Elbow | 45 Elbow | Tees | Crosses | 90 Street Elbows | Couplings | Half Couplings | Caps |
| 1/4" | 610005 | 610105 | 610205 | 610305 | 611305 | 600105 | 600205 | 600805 |
| 3/8" | 610010 | 610110 | 610210 | 610310 | 611310 | 600110 | 600210 | 600810 |
| 1/2" | 610015 | 610115 | 610215 | 610315 | 611315 | 600115 | 600215 | 600815 |
| 3/4" | 610020 | 610120 | 610220 | 610320 | 611320 | 600120 | 600220 | 600820 |
| 1" | 610025 | 610125 | 610225 | 610325 | 611325 | 600125 | 600225 | 600825 |
| 1 1/4" | 610030 | 610130 | 610230 | 610330 | 611330 | 600130 | 600230 | 600830 |
| 1 1/2" | 610035 | 610135 | 610235 | 610335 | 611335 | 600135 | 600235 | 600835 |
| 2" | 610040 | 610140 | 610240 | 610340 | 611340 | 600140 | 600240 | 600840 |
| 2 1/2" | 610045 | 610145 | 610245 | 610345 | ----- | 600145 | 600245 | 600845 |
| 3" | 610050 | 610150 | 610250 | 610350 | ----- | 600150 | 600250 | 600850 |
| 4" | 610055 | 610155 | 610255 | 610355 | ----- | 600155 | 600255 | 600855 |



| Hex Head Plugs | | | | | | | | | | | | |
|-------------------|--------|--------|--------|--------|--------|--------|--------|--------|--------|--------|--------|--------|
| A105, ANSI B16.11 | | | | | | | | | | | | |
| Pipe Size | 1/8" | 1/4" | 3/8" | 1/2" | 3/4" | 1" | 1 1/4" | 1 1/2" | 2" | 2 1/2" | 3" | 4" |
| Item Number | 600500 | 600505 | 600510 | 600515 | 600520 | 600525 | 600530 | 600535 | 600540 | 600545 | 600550 | 600555 |

| Forged Steel Unions | | | | | | | | | | | |
|----------------------------|--------|--------|--------|--------|--------|--------|--------|--------|--------|--------|--------|
| 3000 Lbs., A105, MSS SP-83 | | | | | | | | | | | |
| Pipe Size | 1/8" | 1/4" | 3/8" | 1/2" | 3/4" | 1" | 1 1/4" | 1 1/2" | 2" | 2 1/2" | 3" |
| Item Number | 661100 | 661105 | 661110 | 661115 | 661120 | 661125 | 661130 | 661135 | 661140 | 661145 | 661150 |

| Hex Bushings | | | | | | | | | | | |
|-------------------|------------|--------|--------|--------|--------|--------|--------|--------|--------|--------|--------|
| A105, ANSI B16.11 | | | | | | | | | | | |
| Size, FNPT | Size, MNPT | | | | | | | | | | |
| | 1/4" | 3/8" | 1/2" | 3/4" | 1" | 1 1/4" | 1 1/2" | 2" | 2 1/2" | 3" | 4" |
| 1/8" | 603100 | 603105 | 603115 | 603130 | 603150 | 603175 | 603205 | 603240 | 603280 | 603325 | 603375 |
| 1/4" | ----- | 603110 | 603120 | 603135 | 603155 | 603180 | 603210 | 603245 | 603285 | 603330 | 603380 |
| 3/8" | ----- | ----- | 603125 | 603140 | 603160 | 603185 | 603215 | 603250 | 603290 | 603335 | 603385 |
| 1/2" | ----- | ----- | ----- | 603145 | 603165 | 603190 | 603220 | 603255 | 603295 | 603340 | 603390 |
| 3/4" | ----- | ----- | ----- | ----- | 603170 | 603195 | 603225 | 603260 | 603300 | 603345 | 603395 |
| 1" | ----- | ----- | ----- | ----- | ----- | 603200 | 603230 | 603265 | 603305 | 603350 | 603400 |
| 1 1/4" | ----- | ----- | ----- | ----- | ----- | ----- | 603235 | 603270 | 603310 | 603355 | 603405 |
| 1 1/2" | ----- | ----- | ----- | ----- | ----- | ----- | ----- | 603275 | 603315 | 603360 | 603410 |
| 2" | ----- | ----- | ----- | ----- | ----- | ----- | ----- | ----- | 603320 | 603365 | 603415 |
| 2 1/2" | ----- | ----- | ----- | ----- | ----- | ----- | ----- | ----- | ----- | 603370 | 603420 |
| 3" | ----- | ----- | ----- | ----- | ----- | ----- | ----- | ----- | ----- | ----- | 603425 |

| Black Extra Heavy Seamless Nipples | | | | | | | | | | | |
|------------------------------------|-----------------|--------|--------|--------|--------|--------|--------|--------|--------|--------|--------|
| Nipple Length | Pipe Size, MNPT | | | | | | | | | | |
| | 1/8" | 1/4" | 3/8" | 1/2" | 3/4" | 1" | 1 1/4" | 1 1/2" | 2" | 2 1/2" | 3" |
| Close* | 510650 | 510673 | 510695 | 510718 | 510741 | 510764 | 510787 | 510810 | 510833 | 510856 | 510877 |
| 1 1/2" | 510651 | 510672 | 510693 | 510717 | 510740 | ---- | ---- | ---- | ---- | ---- | ---- |
| 2" | 510649 | 510674 | 510696 | 510719 | 510742 | 510765 | 510788 | 510811 | ---- | ---- | ---- |
| 2 1/2" | 510652 | 510675 | 510697 | 510720 | 510743 | 510766 | 510789 | 510812 | 510835 | ---- | ---- |
| 3" | 510653 | 510676 | 510698 | 510721 | 510744 | 510767 | 510790 | 510813 | 510836 | 510857 | ---- |
| 3 1/2" | 510654 | 510677 | 510699 | 510722 | 510745 | 510768 | 510791 | 510814 | 510837 | 510858 | 510878 |
| 4" | 510655 | 510678 | 510700 | 510723 | 510746 | 510769 | 510792 | 510815 | 510838 | 510859 | 510879 |
| 4 1/2" | 510656 | 510679 | 510701 | 510724 | 510747 | 510770 | 510793 | 510816 | 510839 | 510860 | 510880 |
| 5" | 510657 | 510680 | 510702 | 510725 | 510748 | 510771 | 510794 | 510817 | 510840 | 510861 | 510881 |
| 5 1/2" | 510658 | 510681 | 510703 | 510726 | 510749 | 510772 | 510795 | 510818 | 510841 | 510862 | 510882 |
| 6" | 510659 | 510682 | 510704 | 510727 | 510750 | 510773 | 510796 | 510819 | 510842 | 510863 | 510883 |
| 7" | 510660 | 510684 | 510705 | 510728 | 510752 | 510775 | 510798 | 510821 | 510844 | 510864 | 510885 |
| 8" | 510661 | 510686 | 510706 | 510729 | 510754 | 510777 | 510800 | 510823 | 510846 | 510865 | 510887 |
| 9" | 510662 | 510688 | 510707 | 510730 | 510755 | 510778 | 510802 | 510825 | 510848 | 510866 | 510888 |
| 10" | 510663 | 510690 | 510708 | 510735 | 510756 | 510781 | 510804 | 510850 | 510827 | 510867 | 510891 |
| 11" | 510664 | 510692 | 510709 | 510736 | 510757 | 510782 | 510806 | 510829 | 510852 | 510868 | 510893 |
| 12" | 510671 | 510694 | 510710 | 510739 | 510762 | 510783 | 510808 | 510830 | 510854 | 510869 | 510895 |

* Minimum length of nipple. Lengths as follows:

| Pipe Size | 1/8" | 1/4" | 3/8" | 1/2" | 3/4" | 1" | 1 1/4" | 1 1/2" | 2" | 2 1/2" | 3" |
|-----------|------|------|------|--------|--------|--------|--------|--------|----|--------|--------|
| Length | 3/4" | 7/8" | 1" | 1 1/8" | 1 3/8" | 1 1/2" | 1 5/8" | 1 3/4" | 2" | 2 1/2" | 2 5/8" |

Seamless Nipples Are Required For Anhydrous Ammonia.

| Concentric Extra Heavy Swage Nipples | | | |
|--------------------------------------|-----------------|-------------|-----------------|
| Item Number | Pipe Size, MNPT | Item Number | Pipe Size, MNPT |
| 214295 | 3/4" X 1/2" | 214420 | 2" X 1 1/4" |
| 214315 | 1" X 1/2" | 214425 | 2" X 1 1/2" |
| 214320 | 1" X 3/4" | 214455 | 2 1/2" X 1" |
| 214345 | 1 1/4" X 3/4" | 214460 | 2 1/2" X 1 1/4" |
| 214350 | 1 1/4" X 1" | 214465 | 2 1/2" X 1 1/2" |
| 214355 | 1 1/2" X 3/4" | 214470 | 2 1/2" X 2" |
| 214380 | 1 1/2" X 1" | 214500 | 3" X 1" |
| 214385 | 1 1/2" X 1 1/4" | 214505 | 3" X 1 1/4" |
| 214410 | 2" X 3/4" | 214515 | 3" X 2" |
| 214415 | 2" X 1" | 214520 | 3" X 2 1/2" |



Seamless



Swage

| Corken Bare Pumps | | | | |
|-------------------|-------------|----------------|----------------|------------|
| Item Number | Part Number | Inlet | Outlet | Flow Rate |
| 140050 | 521EGAE | 2" FNPT | 2" FNPT | 25-80 GPM |
| 140120 | 1021EGAMM | 3" FNPT | 3" FNPT | 65-195 GPM |
| 140193 | Z2000HGAEU | 2" FNPT | 2" FNPT | 37-75 GPM |
| 140121 | Z3500HGAMT | 3" FNPT | 3" FNPT | 120-168 |
| 140185 | Z4500HGASP | 4" 300# Flange | 3" 300# Flange | 200-308 |

Z3500 is a direct replacement for Corken 1021 & Blackmer LGLD3.



Z3500



521 / 1021



Z4500

| Corken Base Mounted Pumps | | | | |
|---------------------------|----------------------------|-----|--------------------|------------|
| Item Number | Part Number | RPM | 3 Phase Motor - HP | Frame Size |
| 140062 | 521EGAE-103-9-640-184T | 640 | 5 | 184T |
| 140187 | Z2000HGAEU-103-9-640-184T | | | |
| 140137 | 1021EGAMM-103-10-640-215T | | 10 | 215T |
| 140131 | Z3500HGAMT-103-10-640-215T | | | |
| 140186 | Z4500HGASP-103-15-640-256T | | 20 | 256T |

103 Style - Mounting includes steel baseplate, adjustable driver side base, V-belt drive and enclosed belt guard. Motor sold separately.



Z2000



103 Pump Series

Bypass Valves



| Bypass Valves | | | | | |
|---------------|--------------|-------------|------------------------------------|--------------|--------------|
| Item Number | Part Number | Size - FNPT | Application | Spring Range | Manufacturer |
| 140342 | T166-1.25AAU | 1 1/4" | Bulk Plants & Large Capacity Pumps | 25-60 | Corken |
| 140341 | T166-1.5AAU | 1 1/2" | | 25-60 | |
| 140329 | ZV200-AAEE | 2" | | 41-70 | |
| 142004 | BV1.25A-5100 | 1 1/4" | Bulk Plants & Large Capacity Pumps | 71-125 | Blackmer |
| 142002 | BV1.5A-5100 | 1 1/2" | | | |
| 142007 | BV2A-21NN | 2" | | 41-70 | |
| 148022 | ME840-16-40 | 2" | Bulk Plants & Large Capacity Pumps | 20-40 | MEC |
| 148024 | ME840-16-70 | | | 41-70 | |
| 147978 | ME840-24-75 | 3" | | 25-75 | |

Other spring ranges available.



T166



BV1.5A



ME840-16-40



ZV200



BV2A



ME840-24-75

| NH3 Coro-Vane Pump Repair Kits | | | | | |
|--------------------------------|---------------------------------|-----------------|-----------------|------------------------------------|---------------------------------------|
| Item Number | 140874 | 140900 | 140882 | 140890 | 140894 |
| Part Number | 2904-X2 | 3109-X1 | 2905-X5 | 2906-X2 | 2907-X3 |
| Model Numbers | 521E 522E T522E TR522E | T522G TR522G | T722G TR722G | 1021E 1022E F1021E F1022E | F1521F F1522F T1522F TR1522F |
| Seal Assembly * | 1769-XRA (2)* | 1769-XRA (2)* | 1769-XRA (2)* | 1769-XRA (2)* | 1769-XRA (2)* |
| Bearings | 2754-X (2) | 2754-X (2) | 2754-X (2) | 2754-X (2) | 2754-X (2) |
| Bearing | ----- | 3209 | 3209 | ----- | 3209 |
| Grease Seals | 1358 (2) | 1358 (2) | 1358 (2) | 1358 (2) | 1358 (2) |
| Grease Seal | 2014 | 2014 | 2014 | 2014 | 2014 |
| Blades | 1168-7 (10) | 4000 (6) | 3981 (6) | 1308-9 (10) | 3477 (6) |
| Sideplates # | 1163-2 (2) # | 3932 (2) # | 3932 (2) # | 1209-1 (2) # | 3476 L/R (1/1) # |
| Flange Gasket | 2010 (3) | 2010 (2) | 2010 (2) | ----- | ----- |
| Case O-Ring * | 2-261A (2) * | 2-261A (2) * | 2-261A (2) * | 2-268A (2) * | 2-268A (2) * |
| Flange O-Ring * | 2-234A (2) * | 2-234A (2) * | 2-234A (2) * | 2-245A (2) * | 2-245A * |
| Flange O-Ring * | ----- | ----- | ----- | 2-249A (2) * | 2-234A (3) * |
| Flange O-Ring * | ----- | ----- | ----- | ----- | 2-249A |
| R.V. O-Ring * | 2-224A * | ----- | ----- | 2-228A * | ----- |
| R.V. O-Ring * | 2-112A * | ----- | ----- | 2-112A * | ----- |
| R.V. O-Ring * | 2-277A (2) * | 2-277A (2) * | 2-277A (2) * | ----- | 2-238A * |
| Rotor & Shaft # | 1166-1X1R # | ----- | ----- | 1208-1X1R # | 3350-1X1R # |
| Rotor & Shaft # + | 1166-1X2R # + | 1166-1X2R # + | 3983-X2R # + | 1208-1X2R # + | 3350-1X2R # +* |
| Cam # | 1162-2 # | 1162-2 # | 1849-1 # | 1201-2 # | 1792-1 # |

* All repair kits are furnished with Buna-N O-Rings which are suitable for NH3 applications.

These items are not in the repair kits.

+ For use on 522, 722, 1022, and 1522 pumps only.

| Coro-Vane Pump Parts | | | | | | |
|----------------------|---------------|-------------|-----------------|----------------|-------------|-----------------|
| Part Description | For 521 Pumps | | | For 1021 Pumps | | |
| | Item Number | Part Number | Quantity Needed | Item Number | Part Number | Quantity Needed |
| Seal Assembly | 140802 | 1769-XRA | 2 Pcs. | 140802 | 1769-XRA | 2 Pcs. |
| Bearings | 140850 | 2754-X | 2 Pcs. | 140850 | 2754-X | 2 Pcs. |
| Grease Seals | 140740 | 1358 | 2 Pcs. | 140740 | 1358 | 2 Pcs. |
| Grease Seal | 140811 | 2014 | 1 Pc. | 140811 | 2014 | 1 Pc. |
| Blades | 140626 | 1168-7 | 10 Pcs. | 140716 | 1308-9 | 10 Pcs. |
| Sideplates | 140615 | 1163-2 | 2 Pcs. | 140660 | 1209-1 | 2 Pcs. |
| Rotor & Shaft | 140619 | 1166-1X1R | 1 Pc. | 140654 | 1208-1X1R | 1 Pc. |
| Cam | 140610 | 1162-2 | 1 Pc. | 140650 | 1201-2 | 1 Pc. |

| NH3 Z-Series Pump Repair Kits | | | | |
|-------------------------------|----------------|----------------|----------------|----------------|
| Item Number | 140195 | 140196 | 140202 | 140197 |
| Part Number | 3193-X1 | 3195-X1 | 3195-X2 | 3197-X1 |
| Model Numbers | Z2000 | Z3200 | Z3500 | Z4200 Z4500 |
| Seal Assembly * | 4431-XA2 (2) * | 4431-XA2 (2) * | 4431-XA2 (2) * | 4431-XA2 (2) * |
| Bearings | 2754-X (2) | 2754-X (2) | 2754-X (2) | 4460-X (2) |
| Bearing | 4432 (2) | 4432 (2) | 4432 (2) | 4453 (2) |
| Grease Seals | 4441 (2) | 4441 (2) | 4441 (2) | 4463 (2) |
| Blades | 4428 (6) | 4232 (6) | 3936 (1) | 4448 (6) |
| Sideplates # | 4427 (2) # | 4231 (2) # | 3935 (2) # | 4446 (2) # |
| Case O-Ring * | 2-261A (2) * | 2-261A (2) * | 2-268A (2) * | 2-270A (2) * |
| Flange O-Ring * | 2-231A (2) * | 2-234A (2) * | 2-245A (2) * | 2-231A * |
| R.V. O-Ring * | 2-224A * | 2-224A * | 2-228A * | 2-234A * |
| Rotor & Shaft # | 4430-X2R # | 4495-X2R # | 4495-X2R # | 4444-X2R # |
| Cam # | 4414 # | 4242 # | 5539 # | 4443 # |
| Mounting Ring | 4432 (2) | 4432 (2) | 4435 (2) | 4452 (2) |
| Pin Drivers | 4262-X (3) | 4262-X (3) | 4262-X (3) | 4449-X (3) |
| Shim (0.002) | 4439 (8) | 4439 (8) | 4439 (8) | 4458 (8) |
| Shim (0.010) | 4439-1 (2) | 4439-1 (2) | 4439-1 (2) | 4458-1 (2) |
| Shim (0.020) | 4439-2 (2) | 4439-2 (2) | 4439-2 (2) | 4458-2 (2) |

* All repair kits are furnished with Buna-N O-Rings which are suitable for NH3 applications.

These items are not in the repair kits.

| Z-Series Pump Parts | | | | | | |
|---------------------|-----------------|-------------|-----------------|-----------------|-------------|-----------------|
| Part Description | For Z2000 Pumps | | | For Z3500 Pumps | | |
| | Item Number | Part Number | Quantity Needed | Item Number | Part Number | Quantity Needed |
| Seal Assembly | 140201 | 4431-XA2 | 2 Pcs. | 140394 | 6660-XA2 | 2 Pcs. |
| Bearings | 140850 | 2754-X | 2 Pcs. | 140850 | 2754-X | 2 Pcs. |
| Bearing | 140500 | 4432 | 2 Pcs. | 140500 | 4432 | 2 Pcs. |
| Grease Seals | 140511 | 4441 | 2 Pcs. | 140511 | 4441 | 2 Pcs. |
| Blades | 145006 | 4428 | 6 Pcs. | 141152 | 3936 | 6 Pcs. |
| Sideplates | 140190 | 4427 | 2 Pcs. | 140182 | 3935 | 2 Pcs. |
| Rotor & Shaft | 140181 | 4430-X2R | 1 Pc. | 140998 | 4495-X2R | 1 Pc. |
| Cam | 145004 | 4414 | 1 Pc. | 140184 | 5539 | 1 Pc. |

Corken Bare Compressor with Flywheel

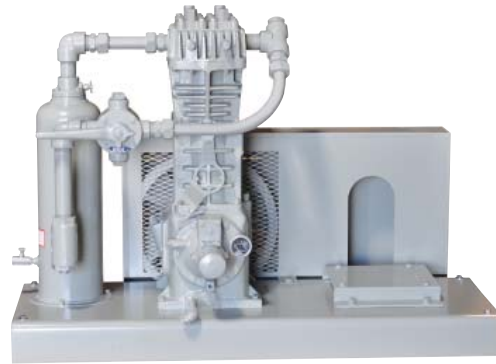
| Item Number | Part Number | Approximate Capacity |
|-------------|---------------|----------------------|
| 140200 | 91AJ3FBANSNN | 23-46 GPM |
| 140211 | 291AM3FBANSNN | 45-85 GPM |
| 140221 | 491AM3FBANSNN | 85-181 GPM |
| 140231 | 691AM3FBANSNN | 165-338 GPM |



291



491



491-107

Corken Base Mounted Compressors

| Item Number | Part Number | RPM | 3 Phase Motor - HP | Frame Size |
|-------------|------------------------------|-----|--------------------|------------|
| 140250 | 91AJ3FBANSNN-107-1-695-184T | 695 | 5 | 184T |
| 140261 | 291AM3FBANSNN-107-3-695-215T | 695 | 10 | 215T |
| 140271 | 491AM3FBANSNN-107-5-670-254T | 670 | 15 | 254T |
| 140281 | 691AM3FBANSNN-107-7-640-256T | 640 | 20 | 256T |

107 Style - Mounting includes steel baseplate, mechanical liquid trap, non-lube 4-way valve, interconnecting piping, strainer, adjustable driver side base, V-belt drive and enclosed belt guard. Pressure gauges are mounted on the compressor. Motor sold separately.

Krug Compressor

| Item Number | Part Number | Description |
|-------------|-------------|---------------------------------|
| 141101 | H50-GL | 18 - 50 GPM Gasoline Compressor |



H50-G



GH-P

Krug Hand Pump

| Item Number | Part Number | Inlet FNPT | Outlet FNPT | Capacity |
|-------------|-------------|------------|-------------|--------------------------|
| 141098 | GH-P | 1" | 3/4" | 6 Gal. @ 40 Strokes/Min. |

| 91 Compressor Parts | | | |
|----------------------|-------------|------------------------|--------|
| Item Number | Part Number | Description | Qty. |
| 141061 | 3483-1X1 * | Suction Valve | 1 |
| 140914 | 3485-X * | Discharge Valve | 1 |
| 140735 | 1367 * | Connecting Rod Bearing | 1 Pair |
| 140745 | 1452-1X1 * | Packing Set | 1 |
| 140806 | 1772 * | Piston Rings | 3 |
| 140799 | 1775 * | Ring Expander | 3 |
| 140843 | 2526-XA * | Gasket Set | 1 |
| Special Order | 3259 * | Oil Seal | 1 |
| 140605 | 1132-X2 | Crosshead Assembly | 2 |
| 140969 | 1983-X | Piston Assembly | 2 |
| 140944 | 2-235A | Head O-Ring | 2 |
| 140921 | 3550-X1 | Repair Kit * | 1 |
| 291 Compressor Parts | | | |
| Item Number | Part Number | Description | Qty. |
| 141061 | 3483-1X1 * | Suction Valve | 2 |
| 140914 | 3485-X * | Discharge Valve | 2 |
| 140735 | 1367 * | Connecting Rod Bearing | 2 Pair |
| 140745 | 1452-1X1 * | Packing Set | 2 |
| 140806 | 1772 * | Piston Rings | 6 |
| 140799 | 1775 * | Ring Expander | 6 |
| 140665 | 1281-XA * | Gasket Set | 1 |
| 140667 | 1278 * | Oil Seal | 1 |
| 140605 | 1132-X2 | Crosshead Assembly | 2 |
| 140969 | 1983-X | Piston Assembly | 2 |
| 140944 | 2-235A | Head O-Ring | 2 |
| 140921 | 3550-X1 | Repair Kit * | 1 |
| 691 Compressor Parts | | | |
| Item Number | Part Number | Description | Qty. |
| 141023 | 3948-X * | Suction Valve | 2 |
| 141026 | 3857-X * | Discharge Valve | 2 |
| 140978 | 2797 * | Valve Cage | 4 |
| 140739 | 1719 * | Connecting Rod Bearing | 2 Pair |
| 140782 | 1725-2X * | Packing Set | 2 |
| 140783 | 1739 * | Piston Rings | 6 |
| 140784 | 1740 * | Ring Expander | 6 |
| 141143 | 1744-X1A * | Gasket Set | 1 |
| 140993 | 1717-X1 | Crosshead Assembly | 2 |
| Special Order | 1987-X1 | Piston Assembly | 2 |
| 140976 | 1744 | Head Gasket | 2 |
| 140923 | 3552-X1 | Repair Kit * | 1 |

Above parts for Model Numbers 690K3 & 691P3 (1 5/8" Crankshaft)

All Repair Kits are Furnished with Buna-N O-Rings.

Provide Model & Serial Number when Ordering Parts.

* These Parts are Included in Repair Kits.

| 491 Compressor Parts | | | |
|----------------------|-------------------|------------------------|--------|
| Item Number | Part Number | Description | Qty. |
| 141067 | 2532-1X * | Suction Valve | 2 |
| 140828 | 2439-X * | Discharge Valve | 2 |
| 140864 | 2448 * | Valve Cage | 4 |
| 140760 | 1491 * | Connecting Rod Bearing | 2 Pair |
| 140745 | 1452-1X1 * | Packing Set | 2 |
| 140759 | 1773 * | Piston Rings | 6 |
| 140761 | 1776 * | Ring Expander | 6 |
| 140755 | 1481-XA * | Gasket Set | 1 |
| 140714 | 2-242A * | O-Ring | 2 |
| 141142 | 2-253A * | O-Ring | 2 |
| 140764 | 1507 (490 Only) * | Oil Seal | 1 |
| 140787 | 4438 (491 Only) * | Oil Seal | 1 |
| 140733 | 1486 * | Adapter Plate Gasket | 1 |
| 140746 | 1384-X | Crosshead Assembly | 2 |
| 140701 | 1985-X | Piston Assembly | 2 |
| 140754 | 1481 | Head Gasket | 2 |
| 140922 | 3551-X1 | Repair Kit * | 1 |

| 691 Compressor Parts | | | |
|----------------------|-------------|------------------------|--------|
| Item Number | Part Number | Description | Qty. |
| 141023 | 3948-X * | Suction Valve | 2 |
| 141026 | 3857-X * | Discharge Valve | 2 |
| 140978 | 2797 * | Valve Cage | 4 |
| 140901 | 3542 * | Connecting Rod Bearing | 2 Pair |
| 140782 | 1725-2X * | Packing Set | 2 |
| 140783 | 1739 * | Piston Rings | 6 |
| 140784 | 1740 * | Ring Expander | 6 |
| 141143 | 1744-X1A * | Gasket Set | 1 |
| 140786 | 3526 * | Oil Seal | 1 |
| 140892 | 3544-X4 | Crosshead Assembly | 2 |
| Special Order | 1987-X1 | Piston Assembly | 2 |
| 140950 | 2-261A | Head O-Ring | 2 |
| 141030 | 3552-X2 | Repair Kit * | 1 |

Above parts for Model Numbers 690M3 & 691M3 (2 1/8" Crankshaft)

| Baldor Motors | | | | |
|---------------|-------------|------------|------------|---|
| Item Number | Part Number | Horsepower | Frame Size | Specifications |
| 140412 | EM3615T | 5 | 184T | TEFC 3-Phase 50/60 Hz 1800 RPM |
| 140417 | EM3710T | 7.5 | 213T | |
| 140422 | EM3774T | 10 | 215T | |
| 140427 | EM2333T | 15 | 254T | |
| 140432 | EM2334T | 20 | 256T | |
| 140437 | EM4103T | 25 | 284T | |

Single Phase available (Will change frame size).



EM3615T



EM2334T

| Blackmer Bare Pumps | | | | |
|---------------------|-------------|---------|---------|-----------------|
| Item Number | Part Number | Inlet | Outlet | Flow Rate - GPM |
| 142052 | LGLD2E | 2" FNPT | 2" FNPT | 30-67 |
| 142057 | LGL3021A | 3" FNPT | 3" FNPT | 59-133 |
| 142036 | LGLD4B | | | 130-270 |

LGL3021 is a direct replacement for Corken 1021.



LGLD2E



LGLD4B

| Blackmer Pump Repair Kits | | | | | |
|--------------------------------|----------------------------------|--|--|---|---|
| Item Number | 142513 | 142516 | 142518 | 142538 | 142533 |
| Part Number | 898994 | 898917 | 898918 | 898919 | 898976 |
| Model Numbers | LGF1E, LGB1E, LGF1PE & LGB1PE | LGRL1.25 LGR1F 1.25A (4 Vane) <u>LGRL1.25</u> | LGL1.25 LGLF 1.25A (4 Vane) <u>LGLF1.25</u> | LGL1.5 LGLF1.5A (4Vane) | LGRL1.25, LGLF1.25A LGL1.25, LGLF1.25A LGL1.5, LGLF1.5A (8 Vane) |
| Relief Valve Spring | 472901 (1) | 471428 (1) | 471428 (1) | 471428 (1) | 471428 (1) |
| O-Ring (Spring Guide) | 711940 (1) * | ---- | ---- | ---- | ---- |
| Relief Valve | 452901 (1) | 453077 (1) | 453077 (1) | 453077 (1) | 453077 (1) |
| O-Ring (R/V Cover) | 701965 (1) * | 711924 (1) * | 711924 (1) * | 711924 (1) * | 711924 (1) * |
| O-Ring (R/V Cap) | ---- | 701949 (1) * | 701949 (1) * | 701949 (1) * | 701949 (1) * |
| Vanes - Set | 092913 (6) * | 093088 (4) * | 093088 (4) * | 093088 (4) * | 093088 (8) * |
| Push Rod | ---- | 123004 (2) * | 123076 (2) * | 123401 (2) * | ---- |
| Bearings | 903405 (2) * | 903114 (2) * | 903114 (2) * | 903114 (2) * | 903114 (2) * |
| Bearing Lockwasher | 903532 (2) * | 903533 (2) * | 903533 (2) * | 903533 (2) * | 903533 (2) * |
| Bearing Cover Gasket | 383075 (1) * | 383075 (2) * | 383075 (2) * | 383075 (2) * | 383075 (2) * |
| Disc | ---- | 063075 (2) * | 063075 (2) * | 063075 (2) * | 063075 (2) * |
| O-Ring (Head) | 711941 (1) * | 701918 (2) * | 701918 (2) * | 701918 (2) * | 701918 (2) * |
| Grease Seal | 331934 (1) * | 331927 (1) * | 331927 (1) * | 331927 (1) * | 331927 (1) * |
| Mechanical Seal | 332920 (2) * | 333045 (2) * | 333045 (2) * | 333045 (2) * | 333045 (2) * |
| Shaft Key | 909126 (1) * | 909125 (1) * | 909125 (1) * | 909125 (1) * | 909125 (1) * |
| Blackmer Pump Repair Kits | | | | | |
| Item Number | 142522 | 142535 | 142539 | 142527 | 142527 |
| Part Number | 898979 | 898981 | 898980 | 898922 | 898922 |
| Model Numbers | LGL2E LGLD2E | LGL3F LGLD3F <u>LGL3E, LGLD3E</u> | TLGLF3C | LGL4A LGLD4A, LGLD4B <u>LGL4, LGLD4</u> | TLGLF4B <u>TLGLF4A</u> <u>TLGLFA</u> |
| Relief Valve Spring | 471423 (1) | 475135 (1) | 471428 (1) | 472039 (1) | 472039 (1) |
| Relief Valve | 454405 (1) | 455129 (1) | 451417 (1) | 452001 (1) | 452001 (1) |
| O-Ring (R/V Cover) | 701919 (1) * | 701925 (1) * | 701919 (1) * | 701946 (1) * | 701946 (1) * |
| O-Ring (R/V Cap) | ---- | ---- | ---- | 701926 (1) * | 701926 (1) * |
| Vanes - Set | 091419 (6) * | 095131 (6) * | 095132 (6) * | 092019 (6) * | 092019 (6) * |
| Push Rod | 123905 (3) * <i>Stl</i> | 125110 (3) * <i>Com</i> | 121607 (3) * <i>Stl</i> | 122005 (3) * <i>STL</i> | 122009 (3) * <i>Com</i> |
| Bearings | 903156 (2) * | 903166 (2) * | 903156 (2) * | 903166 (2) * | 903166 (2) * |
| Bearing Lockwasher | 903522 (2) * | 903524 (2) * | 903522 (2) * | 903524 (2) * | 903524 (2) * |
| Bearing Cover Gasket | 383940 (2) * | 385125 (1) * | 383940 (2) * | 385125 (1) * | 385125 (1) * |
| Disc | 064412 (2) * | 065112 (2) * | 065121 (2) * | 062039 (2) * | 062039 (2) * |
| O-Ring (Head) | 702022 (2) * | 702041 (2) * | 7119123 (2) * | 702039 (2) * | 702039 (2) * |
| O-Ring (Flange) | 702004 (2) * | 702002 (2) * | 702004 (2) * | 701937 (2) * | 702004 (2) * |
| O-Ring (Flange) Older Pumps | ---- | ---- | 701919 (2) * | ---- | ---- |
| Grease Seal | 331918 (1) * | 331908 (1) * | 331918 (2) * | 331908 (2) * | 331908 (2) * |
| Dirt Shield | 701480 (1) * | ---- | 701480 (2) * | ---- | ---- |
| Mechanical Seal | 334439 (2) * | 335225 (2) * | 334439 (2) * | 332050 (2) * | 332050 (2) * |
| Shaft Key | 909209 (1) * | 909209 (1) * | 909130 (1) * | 909183 (1) * | 909183 (1) * |

* Items included in repair kits. *Stl* = Steel Pushrod *Com* = Composition Pushrod

Float Gauges are designed to indicate the liquid level contents of Anhydrous-Ammonia(NH3) Containers. These gauges mount in a Senior flanged coupling with a 2 1/2" [51,5] diameter bolt circle.

Senior gauges are supplied standard with Buna-N gasket and four zinc-plated steel mounting screws (5/16"-24 X 7/8"). These gauges are available in top, side or end, and angle mounting for above ground tanks. A Visible "4" Dial is available.

Note: Torque mounting bolts evenly to 30 to 60 in-lb. [3,4 to 6,8 Nm]

| Senior NH3 Standard Sizes | | | | | | |
|---------------------------|-------------|---------------|-----------|-----------|-------------------|--------------|
| Item Number | Part Number | Tank Diameter | Head Type | Mount | Replacement Dials | |
| | | | | | Drop-In Dials | Tabbed Dials |
| 130431 | AA130A | 24" | Aluminum | Top | 130018 * | 130041 |
| 140433 | AA160A | 30" | Aluminum | Top | 130018 * | 130041 |
| 130435 | AA194A | 37" | Aluminum | Top | 130018 | 130041 * |
| 130437 | AA214E | 41" | Aluminum | Top | 130018 | 130041 * |
| 130425 | AA240A | 46" | Aluminum | Top | 130018 | 130041 * |
| 130426 | AA250A | 48" | Aluminum | Top | 130018 | 130041 * |
| 130440 | AC130A | 24" | Aluminum | 45° Angle | 130018 * | 130041 |
| 130443 | AC160A | 30" | Aluminum | 45° Angle | 130018 * | 130041 |
| 130444 | AC194A | 37" | Aluminum | 45° Angle | 130018 * | 130041 |
| 130447 | AC214B | 41" | Aluminum | 45° Angle | 130018 | 130041 * |
| 130449 | AC240A | 46" | Aluminum | 45° Angle | 130018 | 130041 * |
| 130450 | AD080B | 24" | Aluminum | Side, End | 130018 * | 130041 |
| 130452 | AD100D | 30" | Aluminum | Side, End | 130018 * | 130041 |
| 130455 | AD120E | 37" | Aluminum | Side, End | 130018 | 130041 * |
| 130457 | AD140A | 41" | Aluminum | Side, End | 130018 | 130041 * |
| 130427 | AD150A | 46" | Aluminum | Side, End | 130018 | 130041 * |
| 130459 | AD160J | 48" | Aluminum | Side, End | 130018 | 130041 * |

*Denotes Standard Dial

| Senior Gauge Parts | |
|--------------------|------------------------------|
| Item Number | Part Number |
| 130119 | Sr. Gauge Screw |
| 130120 | Sr. Gauge Screw - Phillips |
| 130122 | Sr. Gauge Gasket Buna-N |
| 130130 | Sr. Gauge Gasket Teflon |
| 130131 | Sr. Gauge Gasket Spirotallic |
| 130104 | Sr. Gauge Head Only |



Tabbed Dial



Drop-In Dial



N-Serve SS Gauges



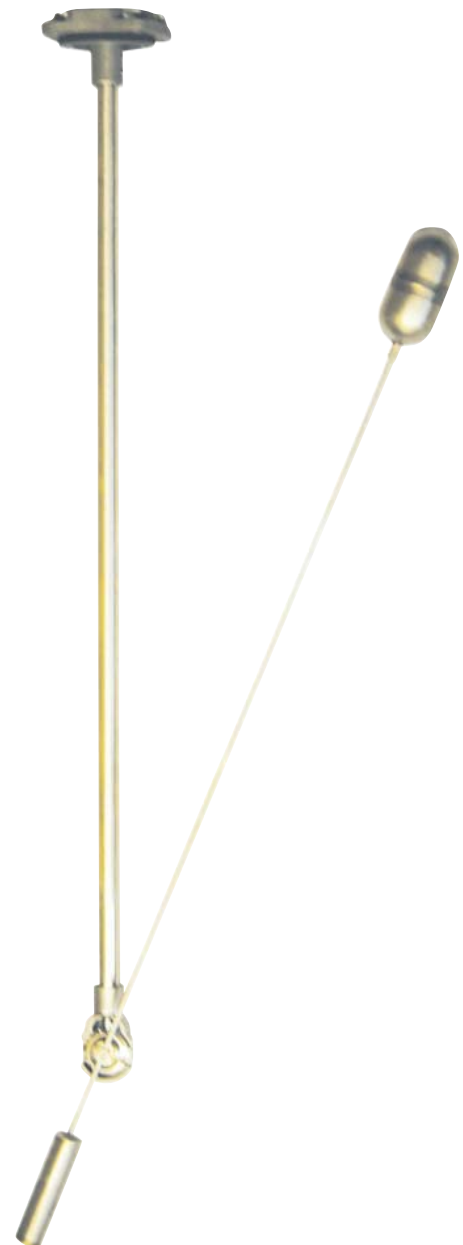
Float Gauges are designed to indicate the liquid level contents of N-Serve Containers. These gauges mount in a Senior flanged coupling with a 2 1/2" [51,5] diameter bolt circle.

Senior gauges are supplied standard with Buna-N gasket and four zinc-plated steel mounting screws (5/16"-24 X 7/8"). These gauges are available in top, side or end, and angle mounting for above ground tanks. A Visible "4" Dial is available.

Note: Torque mounting bolts evenly to 30 to 60 in.-lb. [3,4 to 6,8 Nm] for Buna-N and Teflon Gaskets. Torque mounting bolts evenly to 115-125 in.-lb. for Spirotallic gasket.

| Senior N-Serve SS Standard Sizes | | | | | |
|----------------------------------|-------------|---------------|-----------------|-------|-------------------|
| Item Number | Part Number | Tank Diameter | Head Type | Mount | Replacement Dials |
| 290000 | AA41SS | 41" | Stainless Steel | Top | 130041 |
| 290001 | AA46SS | 46" | Stainless Steel | Top | 130041 |

| Senior Gauge Parts | |
|--------------------|------------------------------|
| Item Number | Part Number |
| 403631 | SS Cap Screws |
| 130119 | Sr. Gauge Screw |
| 130120 | Sr. Gauge Screw - Phillips |
| 130122 | Sr. Gauge Gasket Buna-N |
| 130130 | Sr. Gauge Gasket Teflon |
| 130131 | Sr. Gauge Gasket Spirotallic |
| 130104 | Sr. Gauge Head Only |



Float Gauges are designed to indicate the liquid level contents of Anhydrous-Ammonia(NH3) Containers. These gauges mount in a Junior flanged coupling with a 2 1/32" [51,5] diameter bolt circle.

Junior gauges are supplied standard with Buna-N gasket and four zinc-plated steel mounting screws (1/4"-28 X 7/8"). These gauges are available in top, side or end, and angle mounting for above ground tanks. **Note:** *Torque mounting bolts evenly to 20 to 50 in-lb. [2,3 to 5,6 Nm]*

| Junior NH3 Standard Sizes | | | | | | |
|---------------------------|-------------|---------------|-----------|-------|-------------------|--------------|
| Item Number | Part Number | Tank Diameter | Head Type | Mount | Replacement Dials | |
| | | | | | Drop-In Dials | Tabbed Dials |
| 130400 | BA124A | 24" | Aluminum | Top | 130029 * | 130049 |
| 130402 | BA154A | 30" | Aluminum | Top | 130029 * | 130049 |
| 130403 | BA214B | 41" | Aluminum | Top | 130029 | 130049 * |

*Denotes Standard Dial

| Junior Gauge Parts | |
|--------------------|-------------------------|
| Item Number | Part Number |
| 130118 | Jr. Gauge Screw |
| 130121 | Jr. Gauge Gasket Buna-N |
| 130134 | Jr. Gauge Gasket Teflon |
| 130101 | Jr. Gauge Head Only |



Tabbed Dial



Drop-In Dial



Flow Indicators



Indicates direction of flow of Anhydrous Ammonia(NH3) in piping at working pressures up to 500 psig [34 Bar]. The indicator must be installed in piping tees.

The head, center shaft, support tube, bearings and vane in these indicators are made of 300 Series stainless steel. Magnets are nickel-plated Alnico, and the threaded mounting adapters are forged steel. The hermetically sealed dial has a large 4" dial face capable of showing flow in both directions or the absence of flow. **Note: Torque mounting bolts to 140 to 150 in-lb.**

| Flow Indicator Standard Sizes | | | |
|-------------------------------|-----------------------|-----------|--|
| Item Number | Part Number | Pipe Size | Complete Assembly Includes |
| 130050 | 5520-2 Complete | 2" | 5520-2 Flapper, 5520R Dial, 5305 2" Adapter, Screws , Spirotallic Gasket. |
| 130055 | 5520-2 1/2 Complete * | 2 1/2" | 5520-2 1/2 Flapper, 5520R Dial, 5305 2" Adapter, Screws, Spirotallic Gasket. |
| 130060 | 5520-3 Complete # | 3" | 5520-3 Flapper, 5520R Dial, 5305 2" Adapter, Screws, Spirotallic Gasket. |

* Requires a 2 1/2" X 2" Hex Bushing - Sold Separately # Requires a 3" X 2" Hex Bushing - Sold Separately

| Flow Indicator Parts | | |
|----------------------|---------------------------------|---------------|
| Item Number | Part Number | Case Quantity |
| 130046 | 5520R Dial * | 1 Pc. |
| 130065 | 5520-2 Flapper Only | 1 Pc. |
| 130070 | 5520-2 1/2 Flapper Only | 1 Pc. |
| 130075 | 5520-3 Flapper Only | 1 Pc. |
| 130131 | Sr. Spirotallic Gasket | 1 Pc. |
| 403631 | SS Cap Screws | 1 Pc. |
| 130045 | 5520T Dial * | 1 Pc. |
| 118405 | 5305 2" MNPT X Sr. Head Adaptor | 1 Pc. |

* Includes Dial, Bezel, Bracket and Screws.



130050



130046

Replacement Dial Ordering Information



Old Style Head



130045

Bracket mounts on top and is secured by two screws on the side of head.



New Style Head



130046

Bracket mounts on top and is secured with dial screws.



| | |
|------------|------------------------|
| 5520-2 | L Dimension = 3 13/16" |
| 5520-2 1/2 | L Dimension = 5 5/16" |
| 5520-3 | L Dimension = 5 15/16" |

L Dimension is the distance from gasket surface to the end of the flapper.

The RM Series RoadMaster gauges were designed to withstand the vibration and shock inherent in mobile service. Their service life in over-the-road, transports and bobtails, carrying Anhydrous Ammonia(NH3), is unsurpassed. These gauges allow a continuous reading between 5% and 95% of tank contents.

The RM Series RoadMaster gauges are to be installed in the side or end of mobile tanks at the centerline. They are equipped with a spring controlled shock absorber on the float arm which substantially reduces the stress that quickly destroys conventional gauges. Angle mounting gauges are also available.

The standard model mounts in an 8 bolt adaptor and incorporates a 4" [100 mm] dial with an available 8" [200 mm] dial. When necessary, the dials are easily replaceable.

The RM Series RoadMaster gauges are designed for working pressures ranging from atmospheric to 450 [31 Bar] psig.

Note: Refer to Gauge Instructions for mounting bolt torque specifications.

| RoadMaster Sizes | | |
|------------------|-------------|---------------|
| Item Number | Part Number | Tank Diameter |
| 131825 | RM1425 | 56" |
| 131830 | RM2030 | 66" |
| 131833 | RM1833 | 72" |
| 131834 | RM1834 | 74" |
| 131836 | RM1836 | 78"-79" |
| 131832 | RM2437 | 80" |
| 131838 | RM2438 | 82"-84" |
| 131840 | RM2440 | 85"-86" |
| 131941 | RM2941 | 87" |
| 131841 | RM1841 | 88" |
| 131842 | RM2942 | 90" |
| 131245 | RM3245 | 96" |

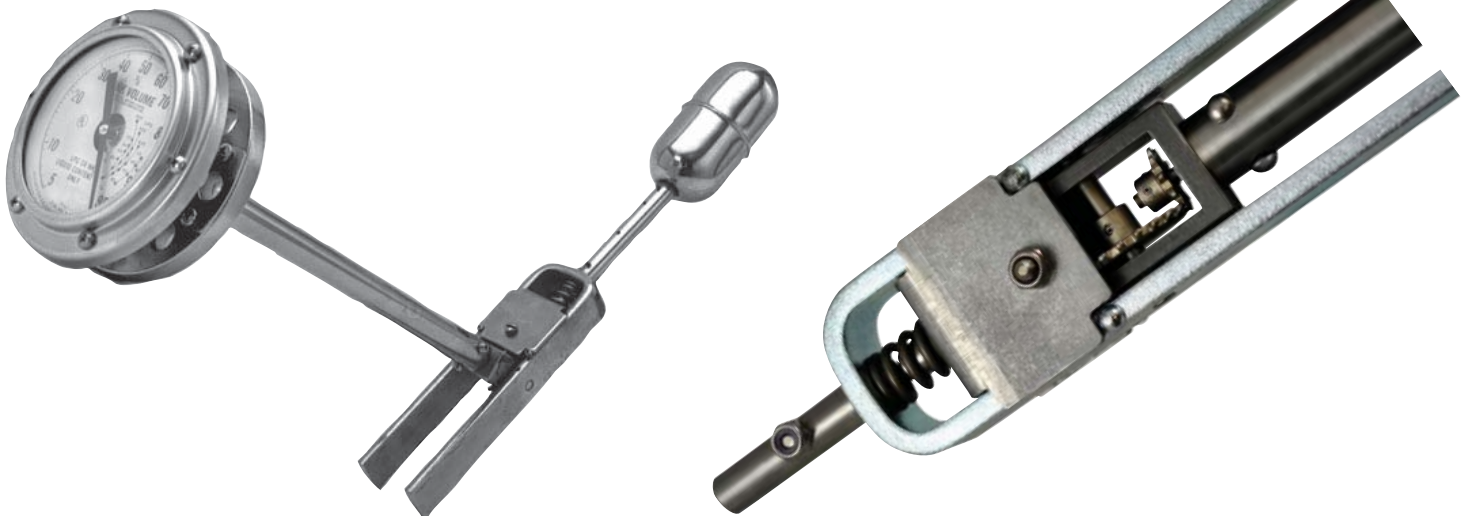
| RoadMaster Options | |
|--------------------|--------------------------------------|
| Suffix | Description |
| SS | Adds Stainless Steel Counter-Weight |
| X | Straddle Mount |
| Y | Includes Adapter To Fit A 2" Opening |

Examples:

RM1836SS - A RM1836 with all Stainless Steel construction

RM1836X - A RM1836 for a Straddle Mount

RM1836Y - A RM1836 to fit a 2" opening



| RoadMaster Parts | | |
|------------------|--|---------------|
| Item Number | Part Number | Case Quantity |
| 130040 | Spirotallic Gasket | 1 Pc. |
| 118425 | 5331 - 2 1/2" X 8 Bolt Flange Adaptor | 1 Pc. |
| 118428 | 5330 Weld In 8-Bolt Flange Adaptor | 1 Pc. |
| 131812 | Straddle Mount Adapter w/Screws & Gasket | 1 Pc. |
| 131845 | RoadMaster Dial Bracket Kit | 1 Pc. |
| 131839 | RoadMaster Dial Assembly Complete | 1 Pc. |
| 131820 | RoadMaster R3D Dial Assembly | 1 Pc. |
| 130093 | Stud Bolt & Nut Kit | 1 Pc. |
| 131823 | RoadMaster Angle Bracket Kit | 1 Pc. |
| 131821 | RoadMaster Fluorescent Dial Only | 1 Pc. |
| 131822 | RoadMaster R3D Fluorescent Dial Only | 1 Pc. |
| 131824 | RoadMaster Dial Crystal | 1 Pc. |
| 131819 | RoadMaster Crystal Gasket | 1 Pc. |



131823
Angle Bracket



131839



131820



131821



131822

The Master Series™ liquid-level gauges are designed to indicate the liquid level contents of Anhydrous Ammonia(NH3) in stationary-storage tanks.

The Master Series™ are available in two basic models:

Model A - Stainless Steel Senior head which mounts to a 2" MNPT x Senior adaptor.

Model B - Stainless Steel head which mounts to a 2 1/2" X 8-Bolt flange adaptor.

Both models incorporate a 8" [100 mm] dial with an available 4" [200 mm] dial. When necessary, the dials are easily replaceable. Standard mounting is end or top mounting. These gauges can be special ordered with angle or straddle mounts. The model A comes standard with cap screws and a Senior spirotallic gasket. The model B comes with a stud and nut kit and spirotallic gasket.

The Master Series™ gauges are designed for working pressures ranging from atmospheric to 450 [31 Bar] psig.

Note: Refer to Gauge Instructions for mounting bolt torque specifications.

| Master Standard Sizes | | | | | | | |
|-----------------------|-------------|---------------|--------------|------------|-----------|---------------|----------------|
| Item Number | Part Number | Tank Diameter | Tank Opening | Model Type | Mount | Standard Dial | Old NH3 Number |
| 138000 | ME2434A | 72" | 2" | A | Side, End | 130090 | DD240B |
| 138005 | ME2434B | | 2 1/2" | B | Side, End | 130090 | DD240A |
| 138010 | ME2738A | 82" | 2" | A | Side, End | 130090 | DD270D |
| 138015 | ME2738B | | 2 1/2" | B | Side, End | 130090 | DD270G |
| 138020 | ME2839A | 84" | 2" | A | Side, End | 130090 | DD280G |
| 138025 | ME2839B | | 2 1/2" | B | Side, End | 130090 | DD280C |
| 138030 | ME3245A | 96" | 2" | A | Side, End | 130090 | DD320F |
| 138035 | ME3245B | | 2 1/2" | B | Side, End | 130090 | DD320B |
| 138040 | ME3650A | 104"-108" | 2" | A | Side, End | 130090 | DD360A |
| 138045 | ME3650B | | 2 1/2" | B | Side, End | 130090 | DD360B |
| 138050 | ME3862A | 130" | 2" | A | Side, End | 130090 | DD430B |
| 138055 | ME3862B | | 2 1/2" | B | Side, End | 130090 | DD380F |

| Master Gauge Parts | | |
|--------------------|--|------------|
| Item Number | Part Number | Model Type |
| 130040 | Spirotallic Gasket | B |
| 118405 | 5305 2" MNPT X Sr. Head Adaptor | A |
| 118425 | 5331 2 1/2" X 8 Bolt Flange Adaptor | B |
| 118428 | 5330 Weld In 8 Bolt Flange Adaptor | B |
| 130206 | Master Gasket & Centralizer | B |
| 131812 | Straddle Mount Adapter w/Screws & Gasket | B |



118428



118425



131812



118405

| Old Style Master Gauge Parts | | |
|------------------------------|--|------------|
| Item Number | Part Number | Model Type |
| 130130 | Sr. Teflon Gasket | A |
| 130119 | Sr. Gauge Screw * | A |
| 130205 | Master Dial 2-Bkt Kit | A & B |
| 130035 | Master Dial LP or NH3 2-Bkt Pre 08 | A & B |
| 130036 | 4102 LP Only Dial 2-Bkt Pre 08 | A & B |
| 130030 | 4607 NH3 Only Dial 2-Bkt Pre 08 | A & B |
| 130078 | Master R3D Dial LP or NH3 2-Bkt Pre 08 | A & B |
| 130076 | Master R3D Sender & Cable | A & B |
| 130088 | Master Fluorescent Dial LP & NH3 2-BKT | A & B |
| 130094 | Master R3D Fluorescent Dial LP & NH3 2-BKT | A & B |
| 130127 | Master Dial Screws 1032-1 (2 Req.) | A & B |
| 130219 | Master Gauge Bolts (8 Req.) | B |

* These screws come in packages of 50 Pcs.

Old Style Heads



Model A



2-Bracket Model B

| New Style Master Gauge Parts | | |
|------------------------------|--|------------|
| Item Number | Part Number | Model Type |
| 130131 | Sr. Spirotallic Gasket | A |
| 130095 | Model A Head Strap Post 07 | A |
| 403631 | Sr. Cap Screw | A |
| 130098 | Master Dial 3-Bkt Kit | B |
| 130090 | Master Dial LP or NH3 3-Bkt Post 07 | B * |
| 130091 | 4102 LP Only Dial 3-Bkt Post 07 | B * |
| 130092 | 4607 NH3 Only Dial 3-Bkt Post 07 | B * |
| 130034 | Master R3D Dial LP or NH3 3-Bkt Post 07 | B * |
| 130076 | Master R3D Sender & Cable | A & B |
| 130089 | Master Fluorescent Dial LP & NH3 3-BKT | B * |
| 130099 | Master R3D Fluorescent Dial LP & NH3 3-BKT | B * |
| 130093 | Master Stud Bolt and Nut Kit (8) | B |
| 130201 | Master Glass Crystal & Gaskets -8" | A & B |
| 130199 | Master Lexan Crystal -8" | A & B # |
| 130198 | Gasket For Master Lexan Crystal -8" (2 Req.) | A & B # |

* These Dials have 3 blank holes to mount on a Model B only. If you need a Dial for a Model A than you must specify Model A when ordering.

Must be ordered together.

New Style Heads



Model A



3-Bracket Model B

The Eliminator™ direct-reading float gauge is a direct replacement for 1" NPT rotary-type dip-tube gauges in NH₃ storage tanks.

These Gauges are designed for larger tanks up to 96" [2134 mm] in diameter. The Eliminator™ is not intended for use in filling tanks - its use is restricted to tanks with fixed liquid level gauges, used to determine when the maximum fill level has been reached.

Eliminator Standard Sizes

| Item Number | Part Number | Tank Diameter | Case Quantity |
|-------------|-------------|---------------|---------------|
| 131900 | EL4442 | 42" | 1 Pc. |
| 131901 | EL6046 | 46" | 1 Pc. |
| 131902 | EL6048 | 48" | 1 Pc. |
| 131903 | EL6056 | 56" | 1 Pc. |
| 131906 | EL6060 | 60" | 1 Pc. |
| 131909 | EL7266 | 66" | 1 Pc. |
| 131912 | EL7272 | 72" | 1 Pc. |
| 131914 | EL8474 | 74" | 1 Pc. |
| 131916 | EL8476 | 76" | 1 Pc. |
| 131919 | EL8479 | 79" | 1 Pc. |
| 131920 | EL8480 | 80" | 1 Pc. |
| 131921 | EL8481 | 81" | 1 Pc. |
| 131922 | EL8482 | 82" | 1 Pc. |
| 131923 | EL8484 | 84" | 1 Pc. |
| 131925 | EL8486 | 86" | 1 Pc. |
| 131926 | EL8487 | 87" | 1 Pc. |
| 131930 | EL9696 | 96" | 1 Pc. |

* Any Eliminator installed in a mobile tank greater than 60" is excluded from the Taylor Gauge Limited Warranty and cannot be reworked.



Eliminator Dial

| Item Number | Part Number |
|-------------|----------------------|
| 130100 | Eliminator Dial Assy |

How To Do The Conversion

1. After the storage tank has been evacuated, remove the rotary gauge from the 1" NPT opening at the centerline of the head. Clean and re-tap the female threads.
2. Remove the two screws from the bezel. Put the bezel, screws and dial chamber aside for the moment. Remove the four mounting screws holding the gauge head to the adapter.
3. Insert the lower portion of the replacement gauge, including the float bulb, float arm, gear housing and counterbalance, into the tank opening.
4. Apply three wraps of 1/2" [12 mm] wide Teflon tape, or other suitable thread sealant, to the 1" NPT threads on the steel adapter through which the gauge support passes.
5. Screw the adapter into the tank opening to achieve a leak-tight joint, and align the gauge mounting holes in the horizontal plane.
6. Using the gasket and four mounting screws supplied, attach the gauge to the adapter finger tight. Be sure the gauge is right side up, the bracket tab for locating dial chamber should be on the right. Torque the mounting screws evenly to 140/150 lb. in., [16,4 Nm] using a cross pattern.
7. Reattach the 4" dial chamber and bezel to the Senior™ gauge head brackets using the two screws supplied.
8. If you end up with the dial chamber upside down, you cannot solve the problem by rotating the bracket. You must rotate the entire gauge 180°.

Rotary Gauges



Fisher® brand rotary gauges can be used on stationary or mobile tanks to visually indicate the amount of Anhydrous Ammonia (NH₃) in the container. They are also used in filling the tank to the proper liquid level. On mobile applications and some large stationary storage tanks, hangers are recommended to support the horizontal length of the dip tube.

The Gauge is operated by opening the small bleed orifice when the tube is in the vapor space of the tank. Moving the pointer on the dial causes the end of the tube to move until it contacts liquid in the container. At that point, discharge from the bleed orifice turns from vapor to liquid and the rotary gauge dial gives the volume percentage of liquid in the tank.

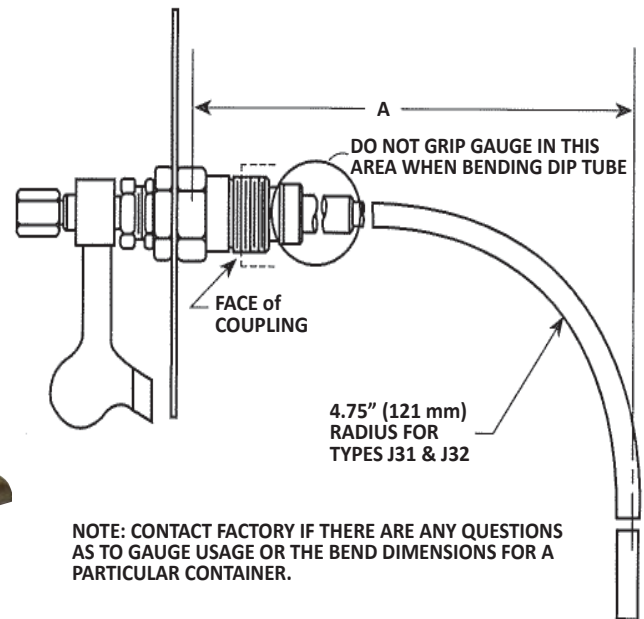
J31 Series - consists of heavy duty gauges that minimize vibration effects (swaying, bouncing) by a long (68-inches) (1,73 meters) stem tube extension. Gauges fit 1-inch (25,4 mm) female coupling container connections.

All gauges have stem and dip tubes with an extra large inside diameter. This assures that the correct liquid level can be obtained quickly. A P324 dial is included with the NH₃ version.

A nylon packing sleeve and a friction ring for the pointer indicator gives smooth rotation and long service life. Steel and stainless steel materials resist rust or corrosion.

| NH3 Rotary Gauges | | | |
|-------------------|-------------|-----------|-------------|
| Item Number | Part Number | Length | |
| | | Inches | Millimeters |
| 121122 | J31A-1 | 68 | 1727 |
| 121127 | J31A-2 | 69 - 92 | 1753 - 2337 |
| 121132 | J31A-3 | 93 - 108 | 2362 - 2743 |
| 121137 | J31A-3L | 109 - 140 | 2769 - 3556 |

Each Gauge Must Be Bent Before Installation.



NOTE: CONTACT FACTORY IF THERE ARE ANY QUESTIONS AS TO GAUGE USAGE OR THE BEND DIMENSIONS FOR A PARTICULAR CONTAINER.



J31A-2

| Rotary Gauge Parts | | |
|--------------------|--------------|---------------------|
| Item Number | Part Number | Description |
| 122920 | P324 | NH3 Dial |
| 128217 | T10971-000A2 | Cap & Disc Assy. |
| 128139 | T10887-19232 | Dial Indicator |
| 128209 | T10964-24152 | Indicator Set Screw |

Shipping Notice:

The J31-1 and J31-2 ship UPS.

The J31-3 and J31-3L will be shipped via motor freight.

The J31-3 if shipped UPS gets an additional oversize charge.



130018 - 2208 CV NH3 Dial
 Guide Hole @ 93%
 Percentages 5 - 95
 Above Ground



130029 - 2208 CV NH3 Dial
 Guide Hole @ 5%
 Percentages 5 - 95
 Above Ground



130049 - 2208 NH3 Dial
 Jr. Tabbed Heads
 Percentages 5 - 95
 NH3 Only



130041 - 2209 NH3 Dial
 Sr. Tabbed
 Percentages 5 - 95
 Above Ground



130025 - 5553T NH3 Dial
 Mounts on Old Style Head
 Percentages 5 - 95
 Above Ground



130086 - 5553R NH3 Dial
 Mounts on New Style Head
 Percentages 5 - 95
 Above Ground



130088 - Master Dial
 Mounts to 2 Bracket Heads
 LP or NH3
 8" Fluorescent Master



130089 - Master Dial
 Mounts to 3 Bracket Heads
 LP or NH3
 8" Fluorescent Master



130035 - Master Dial
 Mounts to 2 Tabbed Heads
 LP or NH3
 8" Master

NH3 Dials, Dial Screws & Broken Screw Kit



130090 - Master Dial
Mounts to 3 Tabbed Heads
LP or NH3
8" Master



130030 - 4607 Master Dial
Mounts to 2 Tabbed Heads
NH3 Only
8" Master



130092 - 4607 Master Dial
Mounts to 3 Tabbed Heads
NH3 Only
8" Master



130015 - 2208 NH3 Dial
Sr. Universal
Percentages 5 - 95
Glue-On Replacement



130016 - 2208 NH3 Dial
Jr. Universal
Percentages 5 - 95
Glue-On Replacement



40-416



40-750

| Dial Screws | | |
|-------------|-------------|--------------------------------|
| Item Number | Part Number | Fits |
| 130140 | 40-416 | Dials w/Tabs |
| 130151 | 40-750 | Small Screw For Aluminum Heads |

| Broken Screw Kit | | |
|------------------|----------------------------|---|
| Item Number | Part Number | Description |
| 130054 | Jr. & Sr. Broken Screw Kit | Includes Blocks, Bolts, Drills, Taps & Instructions |



130054

Order by Gauge Code - Stamped on the Head of any Gauge

Simply order Taylor Visible Gauges by the Gauge Code, and an exact duplicate of the gauge from which the code was taken will be delivered. All Junior and Senior Gauges produced since 1964 have the Taylor code stamped on the top of the head. For all Gauges produced since 2008 the sides of the heads are stamped. For other gauges, and pressure vessel gauge needs, see below.



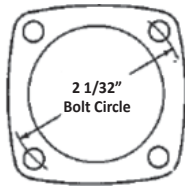
Old Style.

New Style.

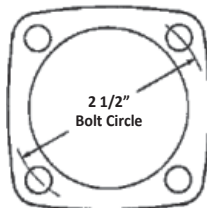
Notes where Gauge Code is located.

If Above Code is Not Available, Specify:

1. TYPE OF SERVICE - Anhydrous Ammonia(NH₃) or N-Serve.
2. GAUGE SIZE (or Head Type) - Specify JUNIOR SIZE, SENIOR SIZE, VISIBLE "4", ROADMASTER OR Master Gauge Model (4 Bolt or 8 Bolt).



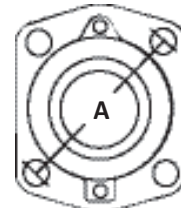
JR. Head



SR. Head



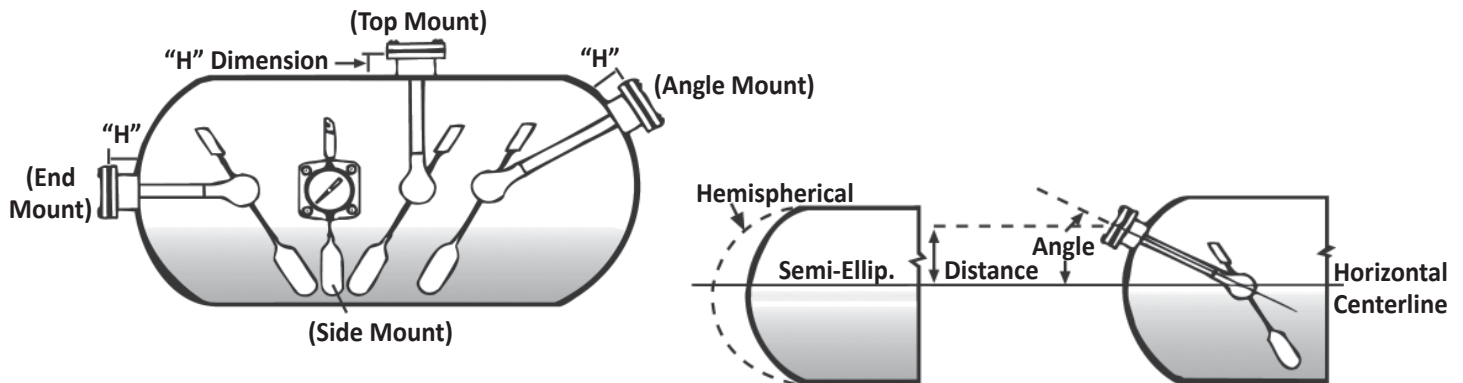
JR. Head
A = 2 1/32"



SR. Head
A = 2 1/2"

3. TYPE MOUNTING - Top, Side, End, or Angle (if angle, specify angle above horizontal center line).

Mounting Location

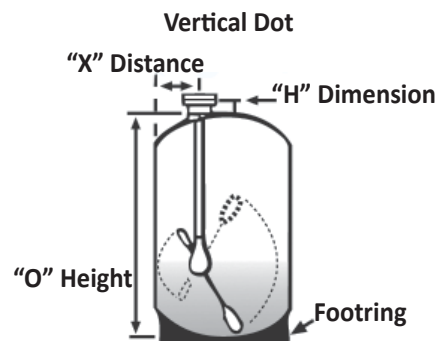


4. GIVE FOLLOWING DIMENSIONS:

H = Distance from tank surface to gasket surface.
D = Inside diameter of tank or cylinder.

5. FOR VERTICAL CYLINDERS ONLY:

X = Distance from center of adaptor to nearest inside wall.
O = Cylinder height.
H = Distance from tank surface to gasket surface.



Gauge Reference & Dial Ordering Information



| NH3 Tanks | |
|-----------|---------------------------------|
| Prefix | Gauge Description |
| AA | Sr. NH3 Top Mount |
| AB | Sr. NH3 Below Mount |
| AC | Sr. NH3 Angle Mount |
| AD | Sr. NH3 End Mount |
| BA | Jr. NH3 Top Mount |
| BB | Jr. NH3 Below Mount |
| BC | Jr. NH3 Angle Mount |
| BD | Jr. NH3 End Mount |
| CA | Sr. NH3 Visible "4" Top Mount |
| CB | Sr. NH3 Visible "4" Below Mount |

| NH3 Tanks | |
|-----------|--|
| Prefix | Gauge Description |
| CC | Sr. NH3 Visible "4" Angle Mount |
| CD | Sr. NH3 Visible "4" End Mount |
| EL | 1" Eliminator End Mount |
| DA | Master NH3 Top Mount "Obsolete" Use MT |
| DD | Master NH3 End Mount "Obsolete" Use ME |
| MA | Master LP Top Mount "Obsolete" Use MT |
| MD | Master LP End Mount "Obsolete" Use ME |
| ME | Master LP or NH3 End Mount |
| MT | Master LP or NH3 Top Mount |
| RM | RoadMaster End Mount |

Visible "2" Dials

The Visible "2" dials come in a variety of styles and sizes. The Direct Read dials are available in Drop-In, Jr. Tabbed, Sr. Tabbed, and Glue-On Replacement (Jr. & Sr.). **Note:** The Drop-In dials fit Jr. & Sr. Old Style heads and have locating tabs on the back of the dial that position the dial in the head of the gauge. Glue-On Replacement dials will work with any Jr. or Sr. gauge ever built.



Style A

The large hole on the back lines up with the 94% mark on the front of the dial.



Drop-In



Style B

The large hole on the back lines up with the 5% mark on the front of the dial.



Jr. Tabbed



Sr. Tabbed



Old Style Jr.



Old Style Sr.



New Style Jr.



New Style Sr.

Visible "4" Dials

The Visible "4" dials come in two styles. If you have the Old Style Head then you need a dial with the "T" suffix. If you have the New Style Head then you need a dial with the "R" suffix.



"T" Old Style Head

The following dials are available for the Old Style Head.
5520T, 5511T, and 5553T



"R" New Style Head

The following dials are available for the New Style Head.
5520R, 5511R, 5553R, and 2778R



Master Dials

The Master dials come in two styles. If you have the Old Style Head with 2 brackets then you need a dial with the “T” suffix. If you have the New Style Head with 3 brackets then you need a dial with the “R” suffix.



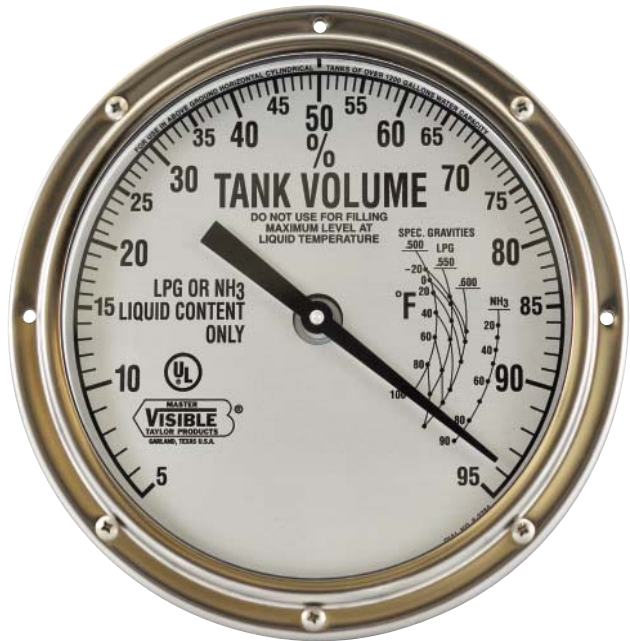
“T” Old Style Head



The following dials are available for the Old Style Head.
4102T, 4607T, and Combo”T”
130036, 130030, and 130035



“R” New Style Head



The following dials are available for the New Style Head.
4102R, 4607R, and Combo”R”
130091, 130092, and 130090

Jr. & Sr. Glue-On Dial Instructions *

1. Determine dial orientation.
2. Break out lens, remove pointer, and bend over stem.
3. Glue on the new dial.



1. Before Installation



2. Ready To Glue



3. After Installation

*** Refer to Dial Kit Instruction Sheet For Complete Instructions, Warnings and Cautions.**

Visible "4" Instructions

These Instructions are for the following dials - 5520T, 5511T, and 5553T.

These dials come the factory pre-assembled and are attached by placing the dial and bracket assembly over the head and tightening the two screws (Figure 1) to clamp the dial to the gauge head (Figure 2).



Complete Dial Assembly
Front View



Complete Dial Assembly
Back View

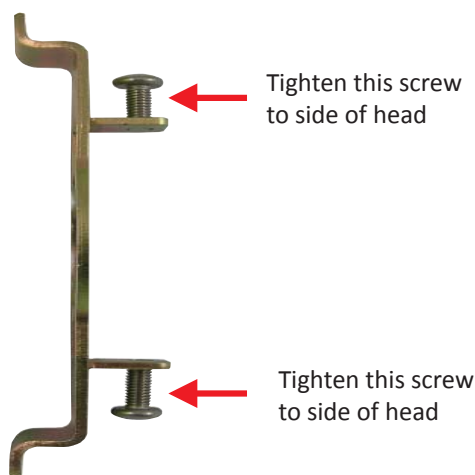


Figure 1



Figure 2



Figure 3

Visible "4" Instructions

These Instructions are for the following dials - 2778R, 5520R, 5511R , and 5553R.

These dials will come the factory pre-assembled and need to be disassembled prior to installation.

1. Remove the two screws that attach the bezel (Figure 1) to the bracket. This will allow the bezel and dial to be removed from the bracket assembly.
2. Use the two small screws that are in the bracket to attach the bracket to the gauge head (Figure 2). NOTE the orientation of the notch that must be at the "3 O'clock position".
3. After the bracket is attached to the dial head, push the dial into the bracket and attach the bezel with the two screws that you originally removed (Figure 3).



Complete Dial Assembly
Front View



Complete Dial Assembly
Back View



Figure 1

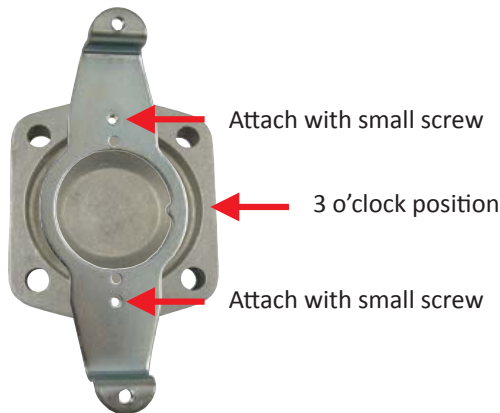


Figure 2



Figure 3

New Style 3 Bracket Master Instructions

1. Remove dial screws from brackets on the gauge head.
2. Match the 3 holes on the dial up with 3 brackets.
3. Replace the 3 screws that you removed in step 1 and tighten them down.



Old Style 2-Bracket Master Instructions

These dials will come from the factory pre-assembled and needs to be disassembled prior to installation.

1. Remove the four screws and nuts that attach the brackets (Figure 1) to the dial. This will allow the brackets to be installed on the gauge head.
2. Use the two small screws that are in the bracket to attach the brackets to the gauge head (Figure 2).
3. After the brackets are attached to the gauge head, make sure that the 50% mark on the dial and top on the head matches up and attach the dial to brackets with the 4 screws and nuts that you originally removed (Figure 3).

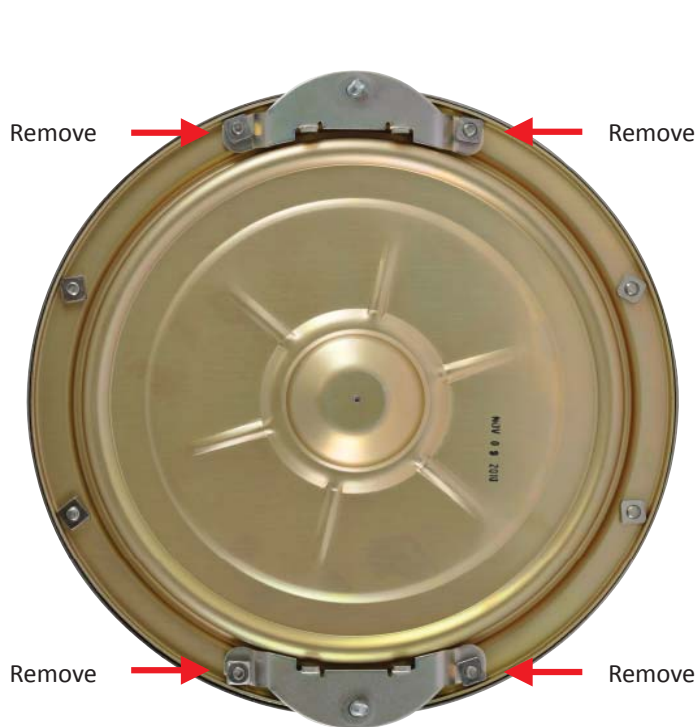


Figure 1



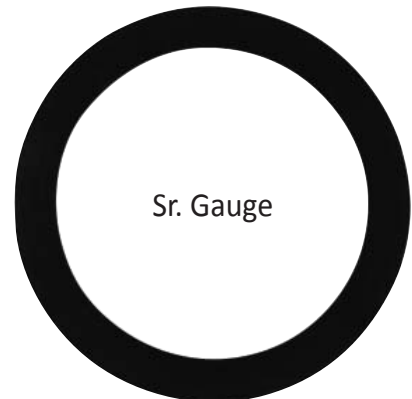
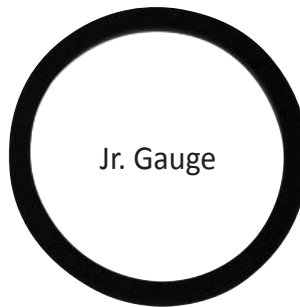
Figure 2



Figure 3

| Gaskets & O-Rings | | | |
|-------------------|-------------|-------------|----------------------------|
| Item Number | Part Number | Style | Size |
| 126663 | 1E8122 | Gasket | 1 1/4" Acme |
| 119337 | ST-1102A-16 | | 1 3/4" Acme |
| 126670 | ST-1E8126 | | 2 1/4" Acme |
| 126673 | ST-1E8128 | | 3 1/4" Acme |
| 128169 | T10948 | | 4 1/4" Acme |
| 403010 | 210 | | O-Ring |
| 403012 | 216 | 1 3/4" Acme | |
| 129055 | T12655 | 2 1/4" Acme | |
| 127070 | ST-1H2917 | 3 1/4" Acme | |
| 403015 | 238 | 4 1/4" Acme | |
| 130121 | Buna-N | Gasket | |
| 130134 | Teflon | | |
| 403014 | 15-21 | O-Ring | |
| 130122 | Buna-N | Gasket | Sr. Gauges |
| 130130 | Teflon | | |
| 130131 | Spirotallic | | |
| 403013 | 15-22 | | |
| 130040 | Spirotallic | Gasket | Master & RoadMaster Gauges |

Gaskets pictured are actual size.



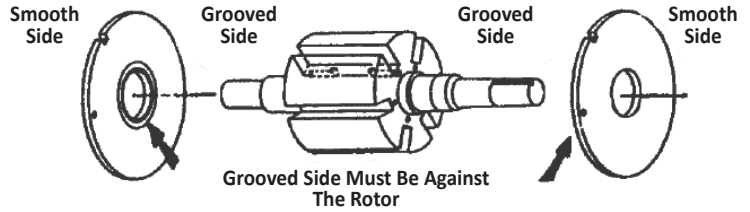
| Squibb-Taylor Valves | | | | | | | | |
|--|-------------|-------------|-----------------|-------------|----------------------|-------------|-----------------|-------------|
| Fits | Repair Kit | | Bonnet Assembly | | Stem & Disc Assembly | | Handle Assembly | |
| | Item Number | Part Number | Item Number | Part Number | Item Number | Part Number | Item Number | Part Number |
| AL107 | 112052 | 107-22 | ---- | ---- | ---- | ---- | ---- | ---- |
| AL109 | 112057 | 109-22 | ---- | ---- | ---- | ---- | ---- | ---- |
| AL111 | 112065 | 111-22 | ---- | ---- | ---- | ---- | ---- | ---- |
| 113-1000 | 112064 | 113-22 | ---- | ---- | ---- | ---- | ---- | ---- |
| AL308 & AL309 | 119039 | 308-22 | 119040 | 308-25 | 119041 | 308-26 | ---- | ---- |
| AL310, AL311, A1587, A1590, A1596, A1597, A1598, A1599 | 119059 | 310-22 | 119060 | 310-25 | 119061 | 310-26 | ---- | ---- |
| AL312 & AL313 | 119109 | 312-22 | 119110 | 312-25 | 119111 | 312-26 | ---- | ---- |
| AL314 & A315 | 119125 | 314-22 | 119126 | 314-25 | 119127 | 314-26 | ---- | ---- |
| AL316, AL316F, AL317, & AL317F | 119169 | 316-22 | 119170 | 316-25 | 119171 | 316-26 | ---- | ---- |
| AL320, AL320F, AL321, & AL321F | 119217 | 320-22 | 119218 | 320-25 | 119219 | 320-26 | ---- | ---- |
| AL342, AL343, AL343C & AL362 | 119360 | 343-22 | 119335 | 343-25 | 119333 | 342-1700 | 119359 | 340-1300 |
| AL344 & AL345, & AL361 | 119361 | 344-22 | 119356 | 345-25 | 119221 | 340-1200 | | |
| AL343A & AL362A | 119351 | 363-22 | ---- | ---- | ---- | ---- | ---- | ---- |
| AL407 & AL409 | 119255 | 407-21 | 119257 | 407-25 | 119256 | 407-23 | ---- | ---- |
| AL410, AL411, AL412, & AL413 | 119279 | 410-21 | 119281 | 410-25 | 119280 | 410-23 | ---- | ---- |
| AL479 | 119300 | 479-22 | 119303 | 479-25 | 119304 | 479-1300 | ---- | ---- |
| A1415 & A1416 | 119376 | 1415-7 | | | | | | |
| A480 & A500 Series | 119306 | 480-22 | 119306 | 480-25 | 119307 | S481-1100 | | |

| Valve Repair Parts & Accessories | | | |
|----------------------------------|-------------|-------------------------------|--|
| Item Number | Part Number | Description | Fits |
| 113022 | RB1-2003 | Bracket Retaining Ring | RB1-1002 Bracket For RB1, RB1.25, FM125 & FM126 |
| 113031 | RB1-0024 | Guide Nut & O-Ring Repair Kit | RB-1 |
| 113033 | RB1.25-0024 | | RB-1.25 |
| 110600 | A479-5050 | | Bushing For Valves With Open Yoke Excess Flow Only |
| 119357 | 1105-22 | Repair Kit | 1105-25, A1578, & A1592 |
| 119358 | 1105-25 | Fill Valve | |

Parts Details for Models 521 & 1021

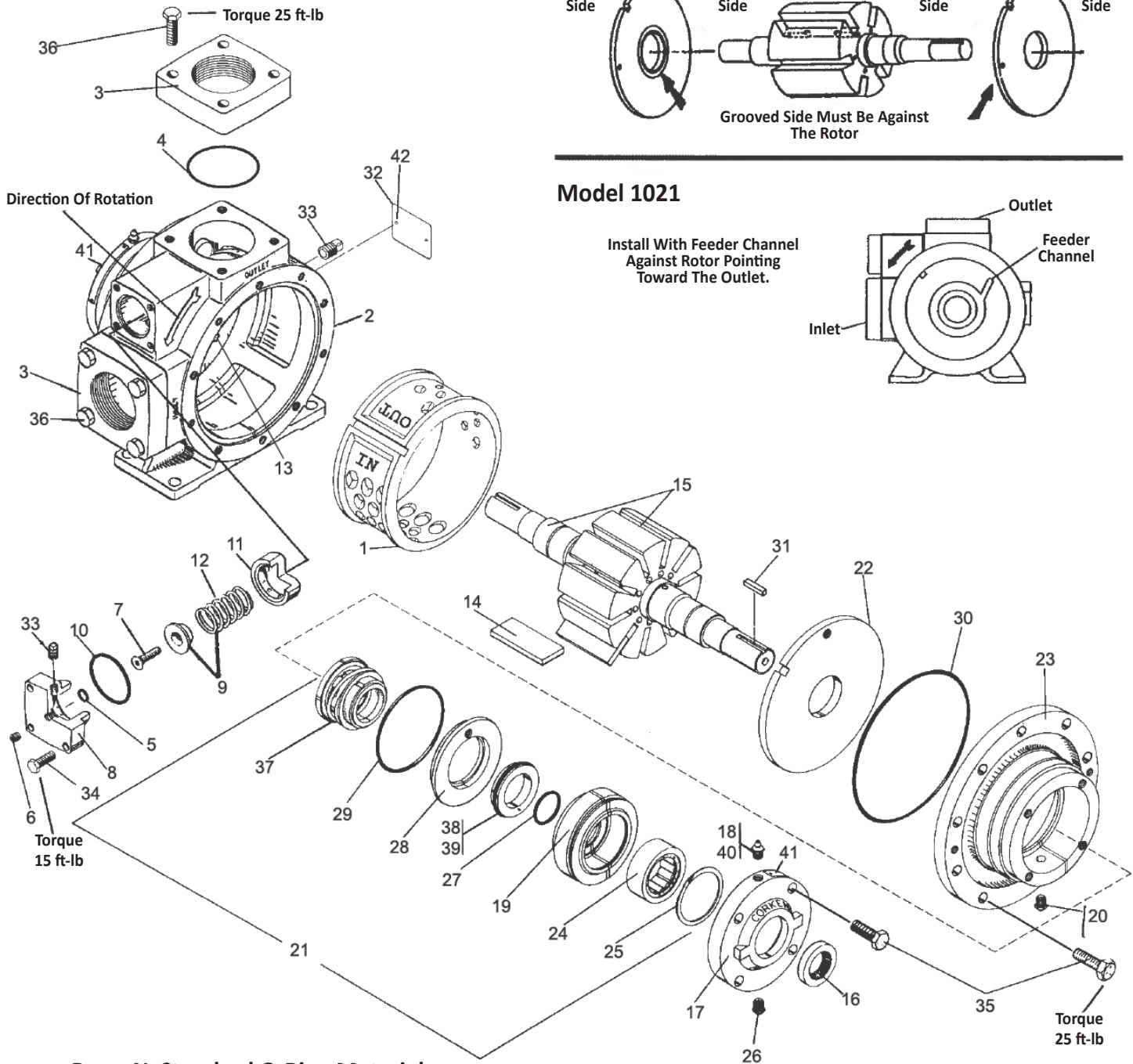
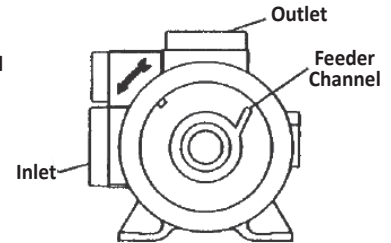
CAUTION: Always relieve pressure in the unit before attempting any repairs.

Model 521



Model 1021

Install With Feeder Channel
Against Rotor Pointing
Toward The Outlet.



Buna-N Standard O-Ring Material

Coro-Vane Pumps Breakdown



| Ref No. | Item Number | Part Number | Description | Qty. |
|---------|---------------|-------------------------|-----------------------------------|------|
| 1 | 140610 | 1162-2 | Cam (521) | 1 |
| | 140650 | 1201-2 | Cam (1021) | 1 |
| 2 | Special Order | 2832 | Case (521) | 1 |
| | Special Order | 2841 | Case (1021) | 1 |
| 3 | 140628 | 1172-2.5 ³ | 2.5" Flange (521) | 1 |
| | 140627 | 1172-2 ³ | 2" Flange (521) | 1 |
| | 140651 | 1206-3 ⁴ | 3" Flange (1021) | 2 |
| 4 | 140940 | 2-234A ² | Flange O-Ring (521) | 2 |
| | 140946 | 2-245A ² | Flange O-Ring 3" (1021) | 2 |
| | 140949 | 2-249A ² | Flange O-Ring 4"(1021) | 2 |
| 5 | 140930 | 2-112A ² | Adjusting Screw O-Ring | 1 |
| 6 | 140842 | 2590 | Flush Steel Plug 1/8" NPT | 1 |
| 7 | 140814 | 2252 | Relief Valve Adjusting Screw | 1 |
| 8 | 140617 | 1174 | Valve Cap (521) | 1 |
| | 140653 | 1207 | Valve Cap (1021) | 1 |
| 9 | 140724 | 1242-X | Relief Valve Spring & Guide (521) | 1 |
| | 140658 | 1227 | Relief Valve Spring Guide (1021) | 1 |
| 10 | 140938 | 2-224A ² | Relief Valve Cap O-Ring (521) | 1 |
| | 140939 | 2-228A ² | Relief Valve Cap O-Ring (1021) | 1 |
| 11 | 140717 | 1241 | Relief Valve (521) | 1 |
| | 140656 | 1224 | Relief Valve (1021) | 1 |
| 12 | Special Order | 1242 | Relief Valve Spring (521) | 1 |
| | 140657 | 1226 | Relief Valve Spring (1021) | 1 |
| 13 | Special Order | 1170 | Cam Key (521) | 1 |
| | Special Order | 1309 | Cam Key (1021) | 1 |
| 14 | 140626 | 1168-7 | Blade (521) | 10 |
| | 140716 | 1308-9 | Blade (1021) | 10 |
| 15 | 140619 | 1166-1X1R | Rotor & Shaft Assembly (521) | 1 |
| | 140654 | 1208-1X1R | Rotor & Shaft Assembly (1021) | 1 |
| 16 | 140740 | 1358 | Grease Seal | 2 |
| 17 | 140618 | 1164-1 | Bearing Cap | 2 |
| 18 | Special Order | 2158 | Grease Zerk 1/8" NPT | 2 |
| 19 | 140800 | 1769 | Bearing Housing | 2 |
| 20 | 140725 | 1343 | Relief Fitting (Seal Vent) | 2 |
| 21 | 140801 | 1769-XA ^{1,2} | Seal Assembly | 2 |
| | 140802 | 1769-XRA ^{1,2} | Seal Assembly — Replacement | 2 |
| 22 | 140615 | 1163-2 ⁵ | Sideplate (521) | 2 |
| | 140660 | 1209-1 ⁵ | Sideplate (1021) | 2 |
| 23 | Special Order | 1161-4 | Head (521) | 2 |
| | 140652 | 1205-4 | Head (1021) | 2 |
| 24 | 140850 | 2754-X | Roller Bearing — Complete | 2 |
| | 140852 | 2755 | Bearing Inner Race | 2 |
| | 140827 | 2754 | Bearing Outer Race | 2 |
| 25 | 140854 | 2760-244 | Retainer Ring | 2 |
| 26 | 140725 | 1343 | Relief Fitting (Grease) | 2 |
| 27 | 140935 | 2-128A ⁷ | Shaft O-Ring | 2 |
| 28 | Special Order | 1882 | Seat Adapter Plate | 2 |
| 29 | 140945 | 2-240A ² | Adapter Plate O-Ring | 2 |
| 30 | 140950 | 2-261A ² | Case O-Ring (521) | 2 |
| | 140955 | 2-268A ² | Case O-Ring (1021) | 2 |
| 31 | 140813 | 2270 | 1/4" Key | 2 |
| 32 | Special Order | 2949 | Nameplate | 1 |
| 33 | Special Order | 3442 | 1/4" NPT Plug | 1 |

| Ref No. | Item Number | Part Number | Description | Qty. |
|---------|---------------|---------------------|--|------|
| 34 | Special Order | 7001-031 NC125A | Hex Head Bolt 5/16-18 X 1 1/4" (521) | 4 |
| | 140540 | 7001-037 NC125A | Hex Head Bolt 3/8-16 X 1 1/4" (1021) | 4 |
| 35 | 140540 | 7001-037 NC125A | Hex Head Bolt 3/8-16 X 1 1/4" (521) | 28 |
| | 140540 | 7001-037 NC125A | Hex Head Bolt 3/8-16 X 1 1/4" (1021) | 32 |
| 36 | Special Order | 7001-037 NC150A | Hex Head Bolt 3/8-16 X 1 1/2" | 8 |
| 37 | ----- | ----- ⁵ | Retainer | 2 |
| 38 | ----- | ----- ⁵ | Seal Seat | 2 |
| 39 | 140931 | 2-227A ² | Seal Seat O-Ring | 2 |
| 40 | 140817 | 2159 | Lubricap #2 | 2 |
| 41 | Special Order | 1359 | Lubrication Instruction Tag | 2 |
| 42 | Special Order | 7003-004 DR0198 | Round Head Plated Drive Screw 4 X 3/16 | 2 |

Buna-N Standard O-Ring Material

¹Seal assemblies are available in two forms:

- a. Complete seal kit including bearing housing, seat adapter plate, bearings, retainer ring, seal & O-Rings. Part Number 1769-X².
- b. Field replacement seal assembly containing only the seal & O-rings Part Number 1769-XR².

²_ denotes O-Ring code: See chart below for details.

| O-Ring Code | |
|-------------|-------------------------|
| A | Buna-N |
| B | Neoprene ^{® 6} |
| D | Viton ^{® 6} |
| E | Teflon ^{® 6} |

³Optional Flanges. (Model 521):

| | |
|-----------|-------------|
| 1172-1.5 | 1/2" NPT |
| 1172-1.5S | 1/2" Weld |
| 1172-2 | 2" NPT |
| 1172-2S | 2" Weld |
| 1172-2.5 | 2 1/2" NPT |
| 1172-2.5S | 2 1/2" Weld |
| 1172-1.5S | 1/2" Weld |

⁴Optional Flanges. (Model 1021):

| | |
|---------|---------|
| 1206-3S | 3" Weld |
| 1206-4 | 4" NPT |
| 1206-4S | 4" Weld |

⁵Not Available Separately

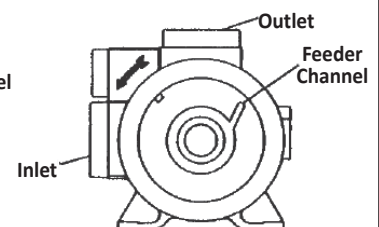
⁶Neporene[®], Viton[®], & Teflon[®] are registered Trademarks of the DuPont company.

⁷Available in Buna-N only.

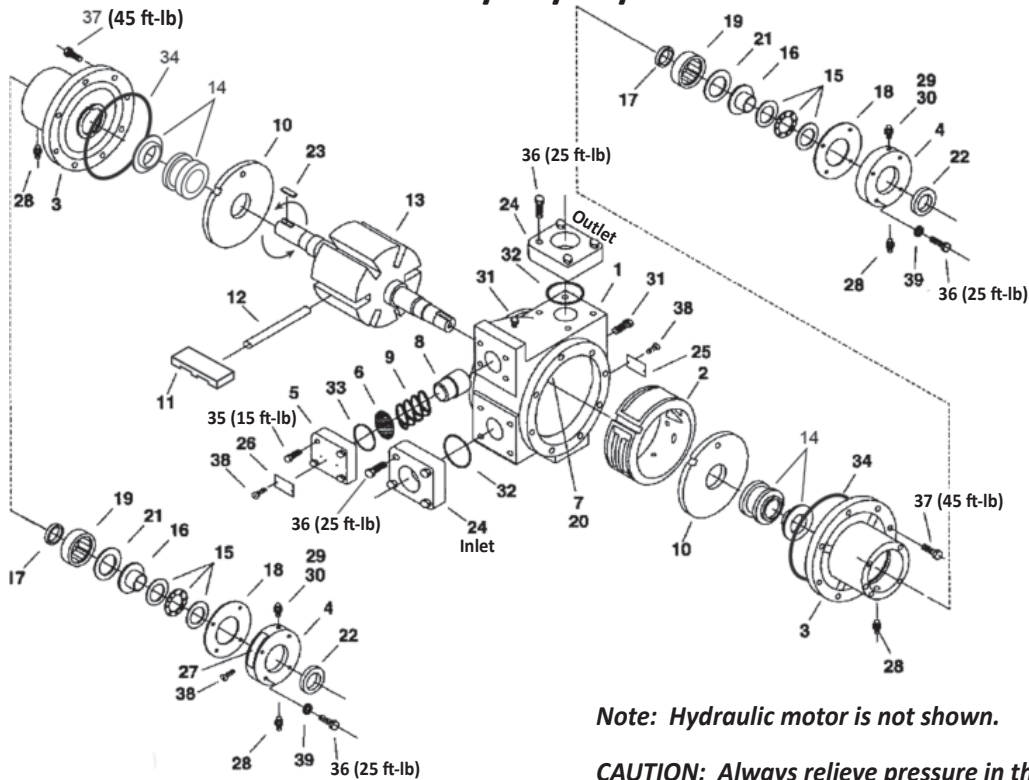
⁸Sideplate replacement instructions:

Model 1021

Install With Feeder Channel
Against Rotor Pointing
Toward The Outlet.



Parts Details for Models Z/ZH/ZX/ZXH2000



| O-Ring Code | |
|-------------|-------------------------|
| A | Buna-N |
| B | Neoprene ^{® 1} |
| D | Viton ^{® 1} |
| E | Teflon ^{® 1} |

Buna-N Standard O-Ring Material

Note: Hydraulic motor is not shown.

CAUTION: Always relieve pressure in the unit before attempting any repairs.

| Ref No. | Item Number | Part Number | Description | Qty. |
|---------|---------------|----------------------|---------------------------------------|---------|
| 1 | Special Order | 4413 | Case | 1 |
| 2 | 145004 | 4414 | Cam | 1 |
| 3 | Special Order | 4416 | Head | 2 |
| 4 | Special Order | 4417 | Bearing Cap | 2 |
| 5 | Special Order | 1174-3 | Relief Valve Cap | 1 |
| 6 | 140355 | 4282 | Shim (Z2000, ZH2000) | 1 |
| | 140355 | 4282 | Shim (ZX2000, ZXH2000) | 3 |
| 7 | Special Order | 4424 | Cam Key | 1 |
| 8 | Special Order | 4425 | Relief Valve | 1 |
| 9 | Special Order | 4426 | Relief Valve Spring (Z2000, ZH2000) | 1 |
| | 140712 | 1240 | Relief Valve Spring (ZX2000, ZXH2000) | 1 |
| 10 | 140190 | 4427 | Sideplate | 2 |
| 11 | 145006 | 4428 | Vane ² | 6 |
| 12 | 140352 | 4262-X | Vane Driver | 3 |
| 13 | 140181 | 4430-X2R | Rotor — Shaft Assembly | 1 |
| 14 | 140201 | 4431-XA ₂ | Mechanical Seal Assembly ³ | 2 |
| 15 | 140500 | 4432 | Thrust Bearing Assembly | 2 |
| 16 | 140501 | 4435 | Bearing Race Mounting Ring | 2 |
| 17 | 140787 | 4438 | Grease Seal | 2 |
| 18 | 140502 | 4439 | Bearing Cap Shim (.002) Red | As Req. |
| | 140356 | 4439-1 | Bearing Cap Shim (.010) Brown | |
| | 140503 | 4439-2 | Bearing Cap Shim (.020) Yellow | |

| Ref No. | Item Number | Part Number | Description | Qty. |
|---------|---------------|-----------------|--|------|
| 19 | 140850 | 2754-X | Bearing | 2 |
| 20 | 140708 | 3253 | Cam Key Pin | 2 |
| 21 | 140854 | 2760-244 | Retainer Ring | 2 |
| 22 | 140511 | 4441 | Grease Seal | 2 |
| 23 | 140813 | 2270 | Shaft Key — 1/4" X 1 9/16" | 2 |
| 24 | Special Order | 4479-2 | Flange — 2" NPT | 2 |
| | Special Order | 4479-2S | Flange — 2" Welded | |
| 25 | Special Order | 2649 | Nameplate | 1 |
| 26 | Special Order | 4248 | Relief Valve Nameplate (Z2000, ZH2000) | 1 |
| | Special Order | 4248-1 | Relief Valve Nameplate (ZX2000, ZXH2000) | 1 |
| 27 | Special Order | 1359 | Lubrication Instruction Plate | 2 |
| 28 | 140725 | 1343 | 1/8" NPT Relief Fitting | 4 |
| 29 | Special Order | 2158 | 1/8" NPT Grease Zerk | 2 |
| 30 | 140817 | 2159 | Lubricap | 2 |
| 31 | Special Order | 3442 | 1/4" NPT Pipe Plug | 2 |
| 32 | 140970 | 2-231A | O-Ring — Flange ³ | 2 |
| 33 | 140938 | 2-224A | O-Ring — Relief Valve Cap ³ | 1 |
| 34 | 140950 | 2-261A | O-Ring — Case ³ | 2 |
| 35 | Special Order | 7001-031-NC125A | Bolt — Hexagon Head | 4 |
| 36 | Special Order | 7001-037-NC150A | Bolt — Hexagon Head | 16 |
| 37 | 140524 | 7001-043-NC125A | Bolt — Hexagon Head | 16 |
| 38 | Special Order | 7012-006-SF025E | Screw | 8 |
| 39 | Special Order | 7206-037A | Lock Washer | 8 |

¹ Registered trademarks of the DuPont Company.

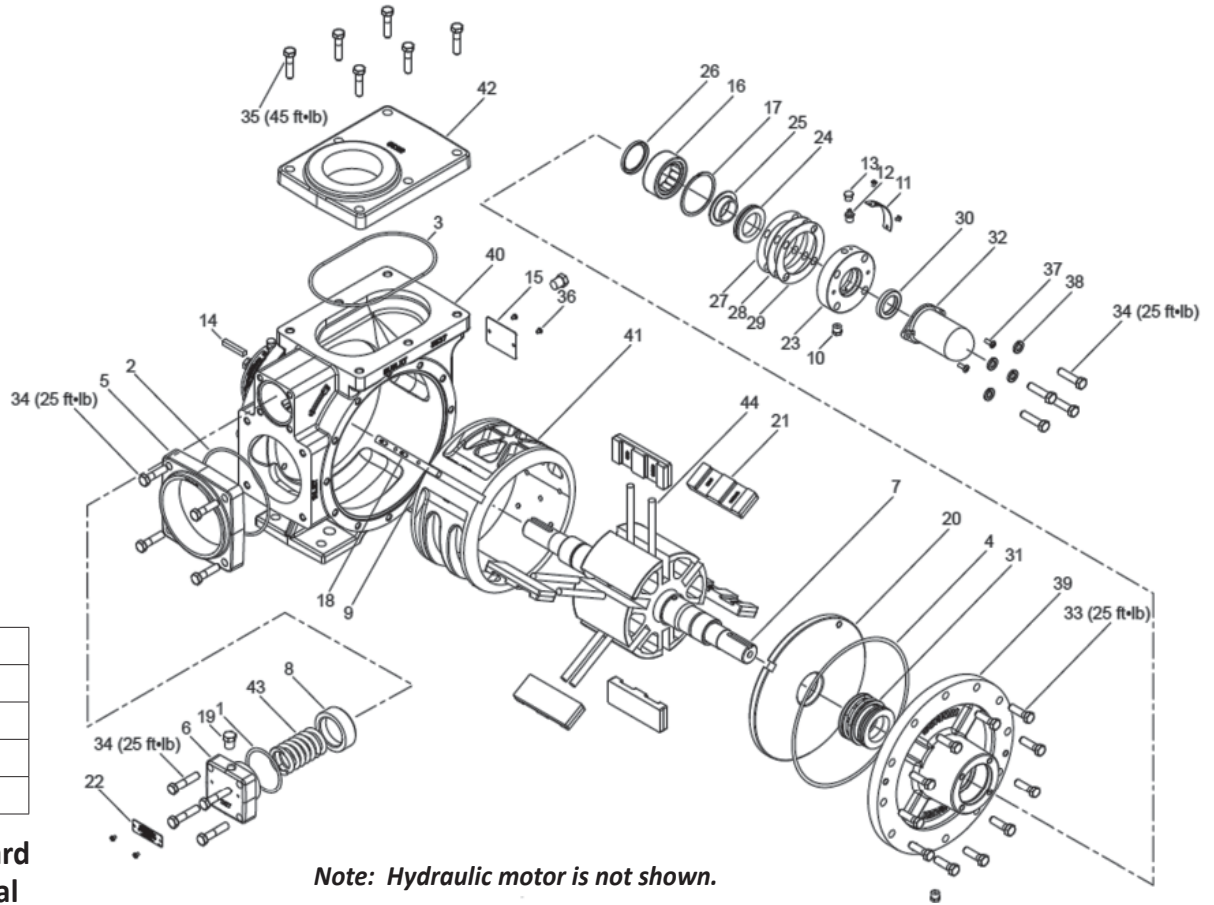
² Slots in vanes must face TOWARDS the direction of rotation.

³ _ Denotes O-Ring code. See chart above.

Z-Series Pumps Breakdown



Parts Details for Models Z3500



| O-Ring Code | |
|-------------|-------------------------|
| A | Buna-N |
| B | Neoprene ^{® 1} |
| D | Viton ^{® 1} |
| E | Teflon ^{® 1} |

Buna-N Standard O-Ring Material

Note: Hydraulic motor is not shown.

CAUTION: Always relieve pressure in the unit before attempting any repairs.

| Ref No. | Item Number | Part Number | Description | Qty. | Ref No. | Item Number | Part Number | Description | Qty. |
|---------|---------------|-------------|--------------------------|------|---------|---------------|----------------|---------------------------------------|------|
| 1 | 140939 | 2-228A | O-Ring ² | 1 | 23 | Special Order | 4417 | Bearing Cap | 2 |
| 2 | 140946 | 2-245A | O-Ring ² | 1 | 24 | 140500 | 4432 | Thrust Bearing Assembly | 2 |
| 3 | 140631 | 2-259A | O-Ring ² | 1 | 25 | 140501 | 4435 | Thrust Bearing Mounting Ring | 2 |
| 4 | 140955 | 2-268A | O-Ring ² | 2 | 26 | 140787 | 4438 | Grease Seal / Oil Seal | 2 |
| 5 | 140651 | 1206-3 | Inlet Flange — 3" NPT | 1 | 27 | 140502 | 4439 | Bearing Cap Shim (.002) Red | 2 |
| | Special Order | 1206-4 | Inlet Flange — 4" NPT | 1 | 28 | 140356 | 4439-1 | Bearing Cap Shim (.010) Brown | 2 |
| | Special Order | 1206-3S | Inlet Flange — 3" WF | 1 | 29 | 140503 | 4439-2 | Bearing Cap Shim (.020) Yellow | 2 |
| | Special Order | 1206-4S | Inlet Flange — 4" WF | 1 | 30 | 140511 | 4441 | Grease Seal | 2 |
| 6 | Special Order | 1207-2 | Relief Valve Cap | 1 | 31 | 140201 | 4431-XA2 | Mechanical Seal Assembly ² | 2 |
| 7 | 140659 | 1208-1X6R | Rotor Shaft Assembly | 1 | 32 | Special Order | 4985 | Coro-Vane Shaft Cover | 1 |
| 8 | 140656 | 1224 | Relief Valve | 1 | 33 | 140540 | 7001-037NC125A | Hex Head Bolt | 24 |
| 9 | Special Order | 1309 | Cam Key | 1 | 34 | Special Order | 7001-037NC150A | Hex Head Bolt | 16 |
| 10 | 140725 | 1343 | Grease Relief Fitting | 4 | 35 | Special Order | 7001-043NC150A | Hex Head Bolt | 6 |
| 11 | Special Order | 1359 | Lubrication Plate | 2 | 36 | Special Order | 7012-006SF019E | Screw | 9 |
| 12 | Special Order | 2158 | Grease Zerk | 2 | 37 | Special Order | 7012-010SF050E | Screw | 2 |
| 13 | 140817 | 2159 | Lubricap | 2 | 38 | Special Order | 7206-037A | Lock Washer — 0.375" | 8 |
| 14 | 140813 | 2270 | Shaft Key — 1/4" | 1 | 39 | Special Order | 5534 | Head | 2 |
| 15 | Special Order | 2649 | Nameplate | 1 | 40 | Special Order | 5537 | Case | 1 |
| 16 | 140827 | 2754 | Outer Bearing | 2 | 41 | 140184 | 5539 | Cam | 1 |
| 17 | 140854 | 2760-244 | Retainer Ring | 2 | 42 | Special Order | 5538 | Outlet Flange — 3" FNPT Elongated | 1 |
| 18 | 140708 | 3253 | Cam Key Pin | 2 | | Special Order | 5538-3S | Outlet Flange — 3" WF Elongated | 1 |
| 19 | Special Order | 3442 | Pipe Plug — 1/4" NPT | 2 | 43 | Special Order | 5548 | Spring | 1 |
| 20 | Special Order | 3935 | Sideplate | 2 | 44 | Special Order | 5554-X | Vane Driver | 6 |
| 21 | 141152 | 3936 | Vane ³ | 6 | | | | | |
| 22 | Special Order | 4248 | Relief Valve Warning Tag | 1 | | | | | |

¹ Registered trademarks of the DuPont Company.

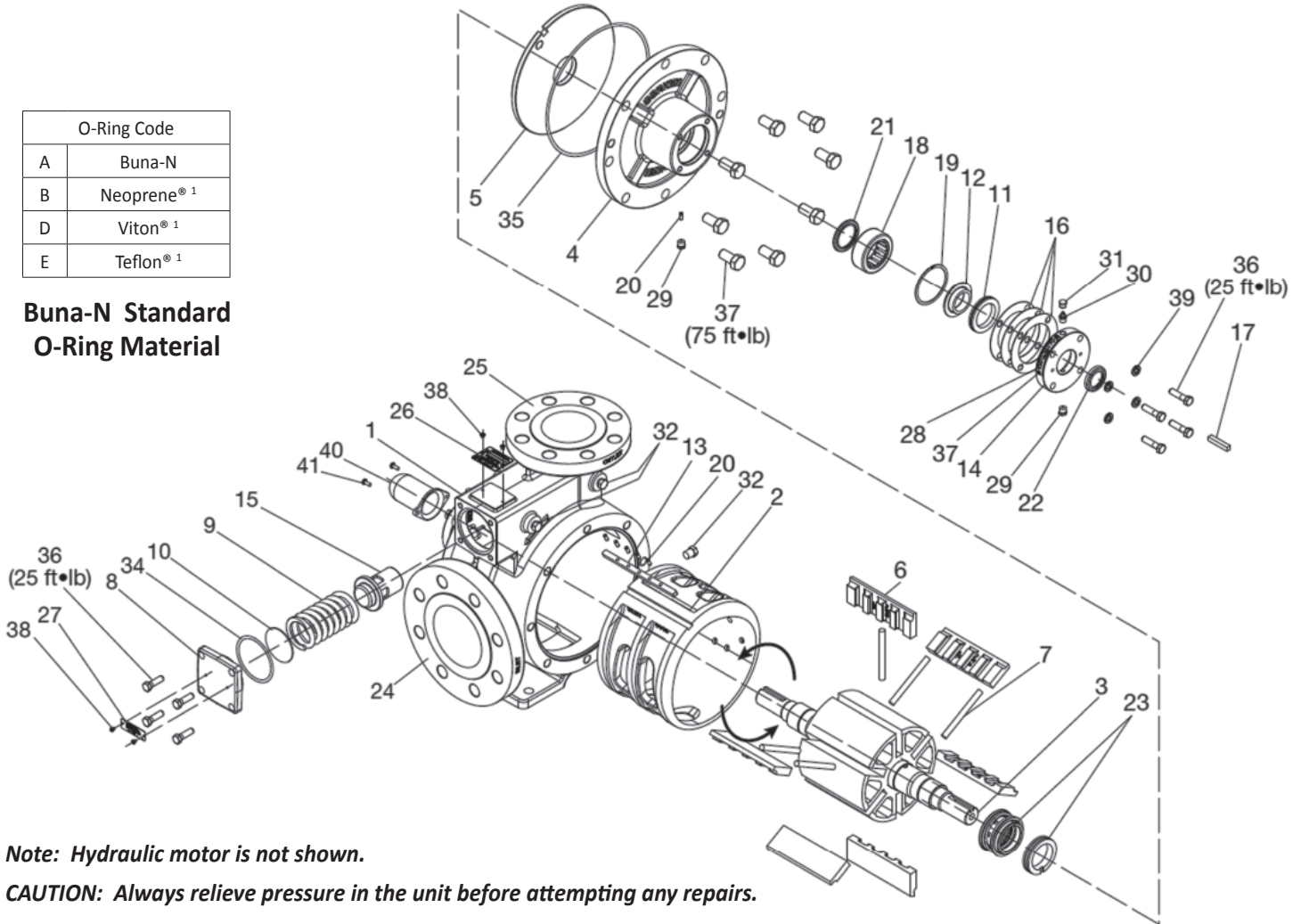
² Denotes O-Ring code. See chart above.

³ Slots in vanes must face TOWARDS the direction of rotation.

Parts Details for Models Z4500

| O-Ring Code | |
|-------------|-------------------------|
| A | Buna-N |
| B | Neoprene ^{® 1} |
| D | Viton ^{® 1} |
| E | Teflon ^{® 1} |

Buna-N Standard O-Ring Material



Note: Hydraulic motor is not shown.

CAUTION: Always relieve pressure in the unit before attempting any repairs.

| Ref No. | Item Number | Part Number | Description | Qty. |
|---------|---------------|-------------|--------------------------------|---------|
| 1 | Special Order | 5522 | Case | 1 |
| 2 | 140515 | 4443 | Cam | 1 |
| 3 | 140516 | 4444-X2R | Rotor-Shaft Assembly | 1 |
| 4 | Special Order | 4445 | Head | 2 |
| 5 | 140512 | 4446 | Sideplate | 2 |
| 6 | 140198 | 4448 | Vane ³ | 6 |
| 7 | 140513 | 4449-X | Vane Driver | 5 |
| 8 | Special Order | 4450 | Relief Valve Cap | 1 |
| 9 | Special Order | 4451 | Relief Valve Spring | 1 |
| 10 | Special Order | 4452 | Shim | 1 |
| 11 | Special Order | 4453 | Thrust Bearing Assembly | 2 |
| 12 | Special Order | 4454 | Bearing Race Mounting Ring | 2 |
| 13 | Special Order | 4455 | Cam Key | 1 |
| 14 | Special Order | 4456 | Bearing Cap | 2 |
| 15 | Special Order | 4457 | Relief Valve | 1 |
| 16 | Special Order | 4458 | Bearing Cap Shim (.002) Red | As Req. |
| | Special Order | 4458-1 | Bearing Cap Shim (.010) Brown | |
| | Special Order | 4458-2 | Bearing Cap Shim (.020) Yellow | |
| 17 | Special Order | 4459 | Shaft Key — 5/16" X 1 3/4" | 1 |
| 18 | Special Order | 4460-X | Roller Bearing | 2 |

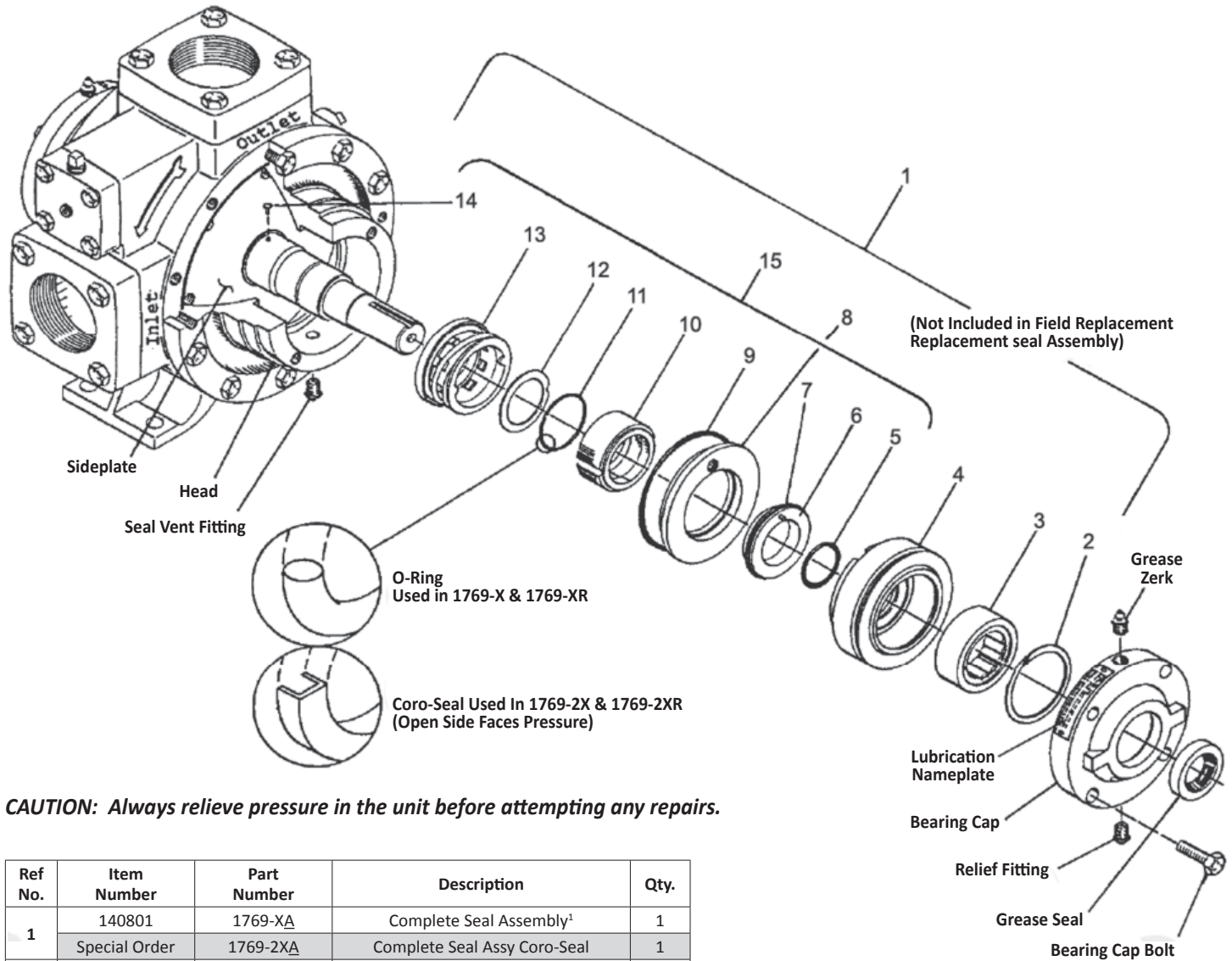
| Ref No. | Item Number | Part Number | Description | Qty. |
|---------|---------------|----------------|--|------|
| 19 | Special Order | 2760-283 | Retainer Ring | 2 |
| 20 | 140708 | 3253 | Cam Key Pin | 5 |
| 21 | Special Order | 4462 | Grease Seal | 2 |
| 22 | 140514 | 4463 | Grease Seal | 2 |
| 23 | 140199 | 4464-XA2 | Mechanical Seal Assembly ² | 2 |
| 24 | ----- | ----- | Inlet Flange — 4" ANSI | 1 |
| 25 | ----- | ----- | Outlet Flange — 3" ANSI | 2 |
| 26 | Special Order | 2649 | Nameplate | 1 |
| 27 | Special Order | 4248 | Relief Valve Nameplate | 1 |
| 28 | Special Order | 1359 | Lubrication Instruction Plate | 2 |
| 29 | 140725 | 1343 | 1/8" NPT Relief Fitting | 4 |
| 30 | Special Order | 2158 | 1/8" NPT Grease Zerk | 2 |
| 31 | 140817 | 2159 | Lubricap ² | 2 |
| 32 | Special Order | 3442 | 1/4" NPT Pipe Plug | 2 |
| 33 | 140970 | 2-231A | O-Ring — Discharge Flange ² | 2 |
| 34 | 140940 | 2-234A | O-Ring — Auxiliary Inlet Flange ² | 1 |
| 35 | 140971 | 2-270A | O-Ring — Case ² | 2 |
| 36 | Special Order | 7001-037NC150A | Bolt — Hexagon Head | 24 |
| 37 | Special Order | 7001-062NC125A | Bolt — Hexagon Head | 16 |
| 38 | Special Order | 7012-006SF019E | Screw | 8 |
| 39 | Special Order | 7206-037A | Lock Washer | 8 |
| 40 | Special Order | 4985 | Shaft Cover | 1 |
| 41 | Special Order | 7012-010SF050E | Screw | 2 |

¹ Registered trademarks of the DuPont Company.

² Denotes O-Ring code. See chart above.

³ Slots in vanes must face TOWARDS the direction of rotation.

1769-XRA Seal Assembly Parts Details for Models 521 & 1021



CAUTION: Always relieve pressure in the unit before attempting any repairs.

| Ref No. | Item Number | Part Number | Description | Qty. |
|---------|---------------|---------------------|--|------|
| 1 | 140801 | 1769-XA | Complete Seal Assembly ¹ | 1 |
| | Special Order | 1769-2XA | Complete Seal Assy Coro-Seal | 1 |
| 2 | 140854 | 2760-244 | Retainer Ring | 1 |
| 3 | 140850 | 2754-X | Roller Bearing — Complete | 1 |
| | 140827 | 2754 | Bearing Outer Race | 1 |
| | 140852 | 2755 | Bearing Inner Race | 1 |
| 4 | 140800 | 1769 | Bearing Housing | 1 |
| 5 | 140935 | 2-128A ³ | Shaft O-Ring ¹ | 1 |
| 6 | ----- | ----- | Seat | 1 |
| 7 | 140931 | 2-227A | Seat O-Ring ¹ | 1 |
| 8 | 140824 | 1822 | Seat Adapter Plate | 1 |
| 9 | 140945 | 2-240A | Adapter Plate O-Ring ¹ | 1 |
| 10 | ----- | ----- | Carbon | 1 |
| 11 | 140936 | 2-223A | Rotor O-ring ¹ | 1 |
| 12 | ----- | ----- | Disc | 1 |
| 13 | ----- | ----- | Retainer Assembly | 1 |
| 14 | Special Order | 2701 | Drive Pin | 1 |
| 15 | 140802 | 1769-XRA | Field Replacement Seal Assembly ¹ | 1 |
| | Special Order | 1769-2XR_ | Fiel Repl. Seal Assy Coro-Seal ¹ | 1 |

| O-Ring Code | |
|-------------|-------------------------|
| A | Buna-N |
| B | Neoprene ^{® 2} |
| D | Viton ^{® 2} |
| E | Teflon ^{® 2} |

Buna-N Standard O-Ring Material

¹ Denotes O-Ring code. See chart to the right for details.

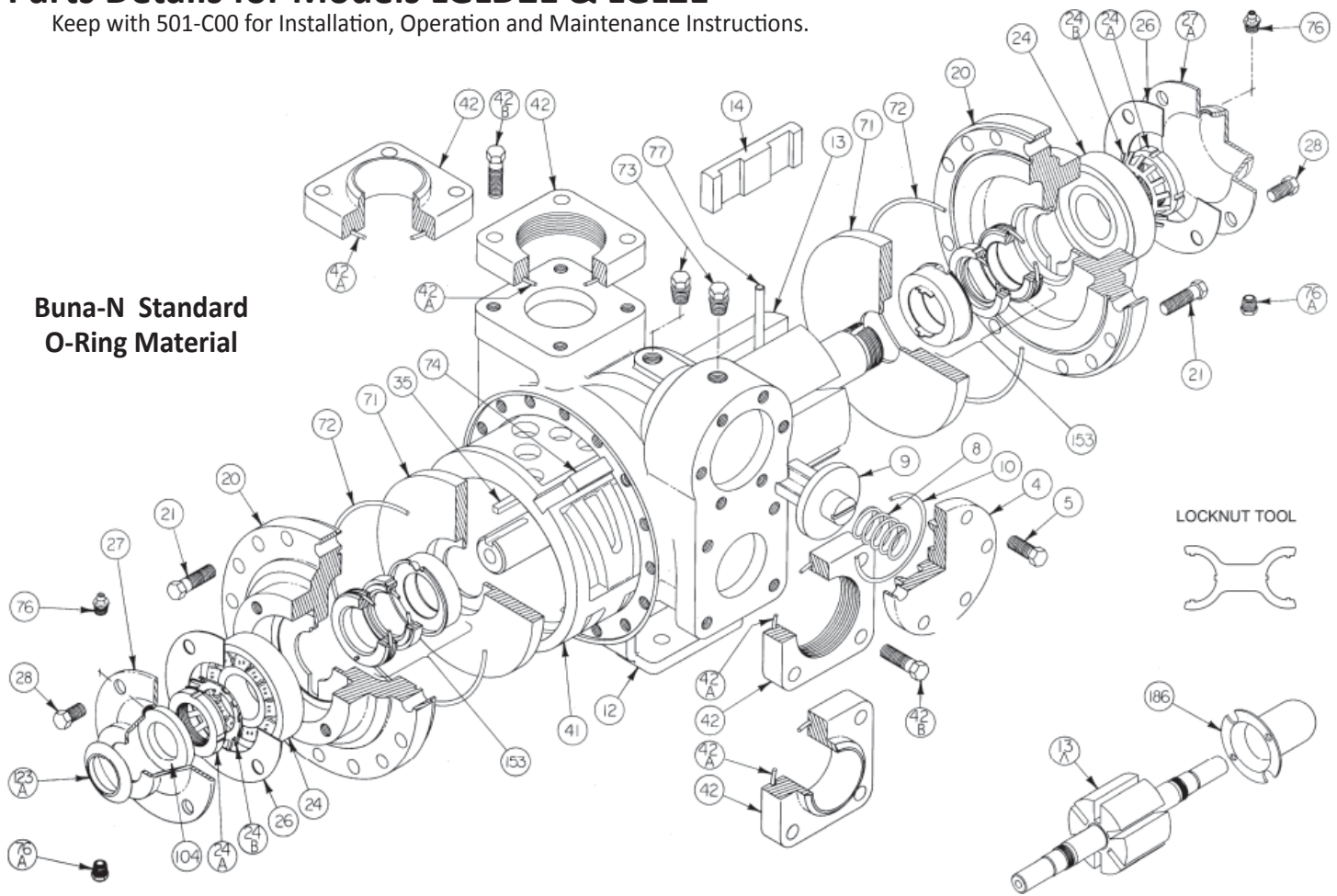
² Registered Trademark of the DuPont Company.

³ Available in Buna-N only.

Parts Details for Models LGLD2E & LGL2E

Keep with 501-C00 for Installation, Operation and Maintenance Instructions.

**Buna-N Standard
O-Ring Material**



| Ref No. | Item Number | Part Number | Description | Qty. | Ref No. | Item Number | Part Number | Description | Qty. |
|---------|---------------|---------------------|---|--------|---------|---------------|------------------------------|------------------------------------|------|
| 4 | Special Order | 414401 | Cover — Relief Valve (R/V) | 1 | 35 | Special Order | ^{1,7} 909209 | Key — Shaft, 1/4" Square | 1 |
| 5 | Special Order | 920331 | Capscrews — R/V Cover | 6 | 41 | | ² 184405 | Liner | 1 |
| 8 | 142387 | ¹ 471423 | Spring — R/V | 1 | 42 | Special Order | 654401 | Flange — NPT | 2 |
| 9 | 142378 | 454405 | Valve — R/V | 1 | | Special Order | 654405 | Flange — Weld | 2 |
| 10 | 142438 | ¹ 701919 | O-Ring — R/V Cover | 1 | 42A | | ¹ 702004 | O-Ring — Flange | 2 |
| 12 | 142080 | 014405 | Casing | 1 | 42B | Special Order | 920384 | Capscrew — NPT Flange | 8 |
| 13 | 142201 | 264443 | Rotor & Shaft Asy. — LGL (includes Ref. Nos. 24A & 24B) | 1 | | Special Order | 920351 | Capscrew — Weld Flange | 8 |
| 13A | 142207 | ² 264445 | Rotor & Shaft Asy. — LGLD ⁵ (includes Ref. Nos. 24A & 24B) | 1 | 71 | | ¹ 064412 | Disc | 2 |
| 14 | 142139 | ¹ 091419 | Vane — Duravane (Std.) | 6 | 72 | | ¹ 702022 | O-Ring — Head | 2 |
| 20 | 142106 | 034416 | Head | 2 | 73 | Special Order | 908198 | Gage Plug | 2 |
| 21 | Special Order | 920351 | Capscrews — Head (Size 2) | 32 | 74 | | ² 183991 | Key — Liner | 1 |
| 24 | 142536 | ¹ 903156 | Ball Bearing | 2 | 76 | | 142206 317815 | Grease Fitting | 2 |
| 24A | 142544 | ² 903521 | Locknut — Bearing | 2 | 76A | | 142478 701992 | Grease Relief Fitting | 2 |
| 24B | 142546 | ¹ 903522 | Lockwasher — Bearing | 2 | 77 | | 142172 ^{1,6} 123905 | Push Rod | 3 |
| 26 | 142288 | ¹ 383940 | Gasket — Bearing Cover | 2 | 104 | | 142240 ^{1,3} 331918 | Grease Seal | 1 |
| 27 | 142112 | 041431 | Bearing Cover (Inboard) ³ | 1 | 123A | | 142432 ^{1,3} 701480 | Dirt Shield | 1 |
| 27A | 142114 | 041433 | Bearing Cover (Outboard) ⁴ | 1 | 186 | Special Order | 341601 | Shaft Protector (LGLD Models Only) | 1 |
| 28 | Special Order | 920285 | Capscrews — Bearing Cover | 8 - 12 | --- | Special Order | 903091 | Tool — Locknut | --- |
| | | | | | --- | | 142522 898979 | Kit — Maintenance | --- |
| | | | | | --- | | 142529 899079 | Kit — Rebuild | --- |

¹ Included in Maintenance Kit & Rebuild Kit.

² Included in Rebuild Kit.

The following applies to double end shaft pumps (LGLD): ³ Use Two. ⁴ Use None.

⁵ Double-Ended Rotor & Shaft. ⁶ 2" Pushrod is Metal, 3" is Composite.

⁶ Pumps before April 2008 used Woodruff key 909130, included in Maintenance Kits. ⁸ Pumps before 1995 require liner key 184407.

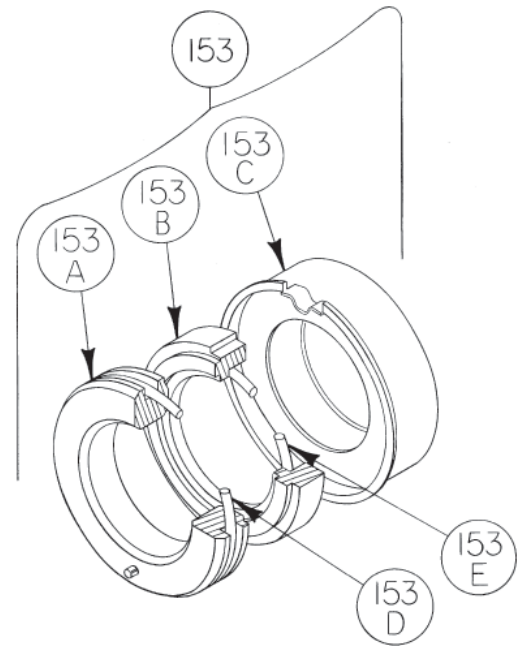
Parts Details for Models LGLD2E & LGL2E

Mechanical Seal — NH₃ Or Dual Service — SNCN (ID Code = QA)

| Ref No. | Item Number | Part Number | Description | Qty. |
|---------|---------------|---------------------|----------------------------------|------|
| 153 | Special Order | ¹ 334439 | Mechanical Seal Assembly | 2 |
| 153A | Special Order | * | Stationary Seat (Hardened Steel) | 2 |
| 153B | Special Order | * | Seal Face (Carbon) | 2 |
| 153C | Special Order | * | Jacket Assembly | 2 |
| 153D | Special Order | 711924 | O-Ring — Stationary (Buna-N) | 2 |
| 153E | Special Order | 711918 | O-Ring — Rotating (Buna-N) | 2 |

¹ Included in Maintenance Kit & Rebuild Kit.

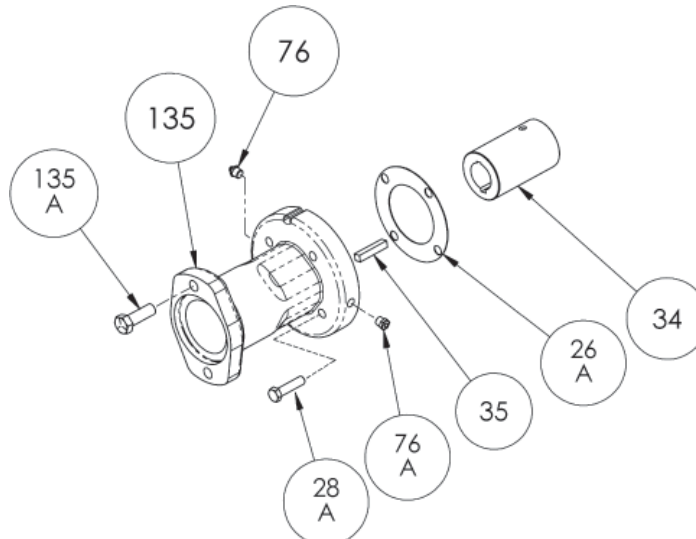
* Note: Mechanical Seal Assy. (Ref 153) is only sold as a complete assembly.
Ref. Nos. 153A, 153B, & 153C are not available as separate replacement parts.



Optional 1 1/4" Hydraulic Motor Adapter Parts

| Ref No. | Item Number | Part Number | Description | Qty. |
|-----------|---------------|-------------|--|-----------|
| See Below | Special Order | 894425 | Hydraulic Motor Adapter Kit * | See Below |
| 26A | 142288 | 383940 | Gasket — Hydraulic Motor Adapter | 1 |
| 28A | Special Order | 920369 | Capscrew — Hydraulic Motor Adapter / Head | 4 / 6 |
| 34 | Special Order | 906967 | Coupling w/ Setscrew — 1.25" Straight Key Hyd. Motor Shaft | 1 |
| 35 | Special Order | 909184 | Key — Coupling | 1 |
| 76 | 142206 | 317815 | Grease Fitting | 1 |
| 76A | 142478 | 701992 | Grease Relief Fitting | 1 |
| 135 | Special Order | 041827 | Hydraulic Motor Adapter — SAE A Flange | 1 |
| 135A | Special Order | 920510 | Capscrew — Adapter / Motor | 2 |

* Hydraulic Motor Adapter Kits shipped prior to Spring 2002 were of a two piece design — refer to page 206-C00.

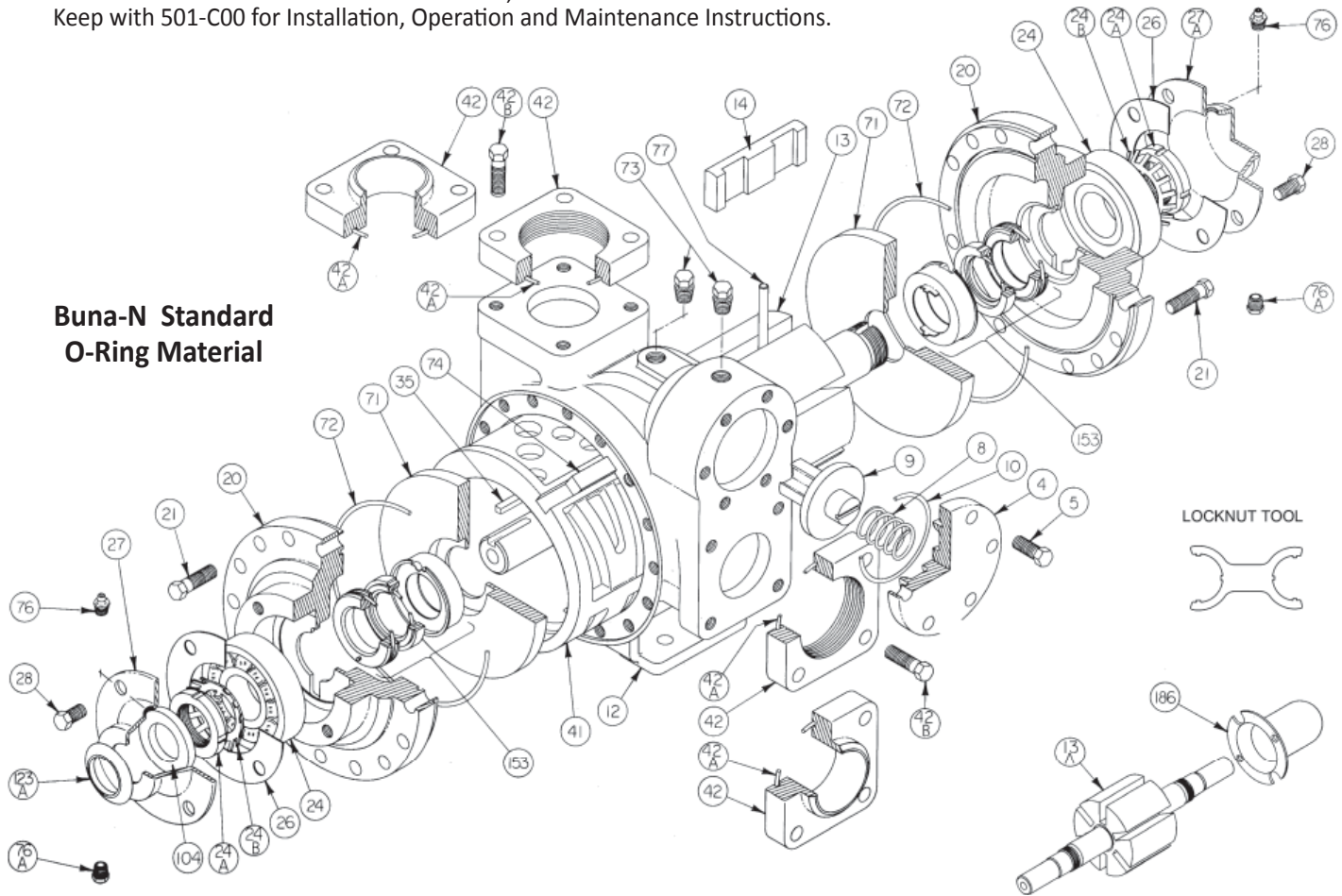


Parts Details for Models LGLD3F & LGL3F

and discontinued LGLD3E, LGL3E

Keep with 501-C00 for Installation, Operation and Maintenance Instructions.

**Buna-N Standard
O-Ring Material**



| Ref No. | Item Number | Part Number | Description | Qty. | Ref No. | Item Number | Part Number | Description | Qty. |
|---------|---------------|---------------------|--|------|---------------|---------------|-----------------------|------------------------------------|------|
| 4 | 142322 | 415113 | Cover — Relief Valve (R/V) | 1 | 35 | Special Order | ^{1,7} 909209 | Key — Shaft, 1/4" Square | 1 |
| 5 | Special Order | 920331 | Capscrews — R/V Cover | 6 | 41 | 142184 | ² 185111 | Liner | 1 |
| 8 | 142407 | ¹ 475135 | Spring — R/V | 1 | 42 | 142426 | 655112 | Flange — NPT | 2 |
| 9 | 142380 | 455129 | Valve — R/V | 1 | Special Order | | 655102 | Flange — Weld | |
| 10 | 142444 | ¹ 701925 | O-Ring — R/V Cover | 1 | 42A | 142473 | ¹ 702002 | O-Ring — Flange | 2 |
| 12 | Special Order | 015127 | Casing | 1 | Special Order | | 920547 | Capscrew — NPT Flange | |
| 13 | 142202 | 265149 | Rotor & Shaft Assy. — LGL (includes Ref. Nos. 24A & 24B) | 1 | Special Order | | 920510 | Capscrew — Weld Flange | 8 |
| 13A | 142205 | ² 265148 | Rotor & Shaft Assy. — LGLD ⁵ (includes Ref. Nos. 24A & 24B) | 1 | 71 | 142133 | ¹ 065112 | Disc | 2 |
| 14 | 142159 | ¹ 095131 | Vane — Duravane (Std.) | 6 | 72 | 142479 | ¹ 702041 | O-Ring — Head | 2 |
| 20 | 142110 | 035128 | Head | 2 | 73 | Special Order | 908198 | Gage Plug | 2 |
| 21 | Special Order | 920369 | Capscrews — Head (Size 3) | 40 | 74 | 142186 | ² 185191 | Key — Liner | 1 |
| 24 | 142537 | ¹ 903166 | Ball Bearing | 2 | 76 | 142206 | 317815 | Grease Fitting | 2 |
| 24A | 142548 | ² 903523 | Locknut — Bearing | 2 | 76A | 142478 | 701992 | Grease Relief Fitting | 2 |
| 24B | 142550 | ¹ 903524 | Lockwasher — Bearing | 2 | 77 | Special Order | ^{1,6} 125110 | Push Rod | 3 |
| 26 | 142292 | ¹ 385125 | Gasket — Bearing Cover | 2 | 104 | 142234 | ¹ 331908 | Grease Seal | 1 |
| 27 | 142116 | 041815 | Bearing Cover (Inboard) ³ | 1 | 123A | Special Order | N/A | Dirt Shield | 1 |
| 27A | 142118 | 041817 | Bearing Cover (Outboard) ⁴ | 1 | 186 | Special Order | 341801 | Shaft Protector (LGLD Models Only) | 1 |
| 28 | Special Order | 920285 | Capscrews — Bearing Cover | 8-12 | --- | Special Order | 903091 | Tool — Locknut | --- |
| | | | | | --- | 142535 | 898981 | Kit — Maintenance | --- |
| | | | | | --- | 142530 | 899081 | Kit — Rebuild | --- |

¹ Included in Maintenance Kit & Rebuild Kit.

² Included in Rebuild Kit.

The following applies to double end shaft pumps (LGLD): ³ Use Two. ⁴ Use None.

⁵ Double-Ended Rotor & Shaft.

⁶ 2" Pushrod is Metal, 3" is Composite.

⁶ Pumps before April 2008 used Woodruff key 909130, included in Maintenance Kits.

⁸ Pumps before 1995 require liner key 184407.

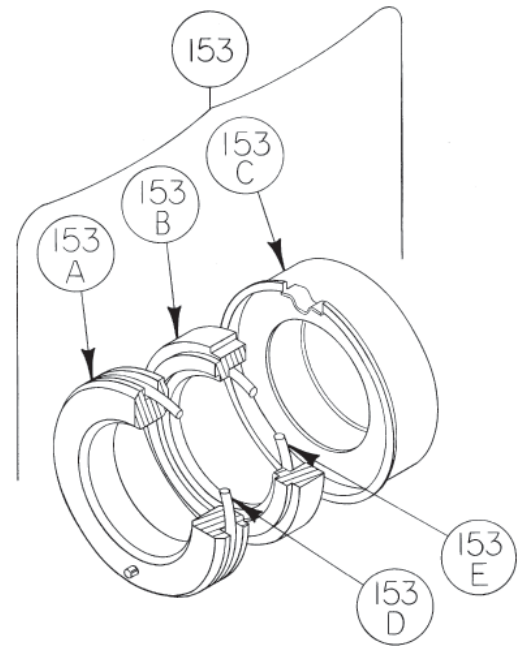
Parts Details for Models LGLD3F, LGL3F and discontinued LGLD3E, LGL3E

Mechanical Seal — NH₃ Or Dual Service — SNCN (ID Code = QA)

| Ref No. | Item Number | Part Number | Description | Qty. |
|---------|---------------|---------------------|----------------------------------|------|
| 153 | 142273 | ¹ 335225 | Mechanical Seal Assembly | 2 |
| 153A | Special Order | * | Stationary Seat (Hardened Steel) | 2 |
| 153B | Special Order | * | Seal Face (Carbon) | 2 |
| 153C | Special Order | * | Jacket Assembly | 2 |
| 153D | 142449 | 702025 | O-Ring — Stationary (Buna-N) | 2 |
| 153E | Special Order | 711912 | O-Ring — Rotating (Buna-N) | 2 |

¹Included in Maintenance Kit & Rebuild Kit.

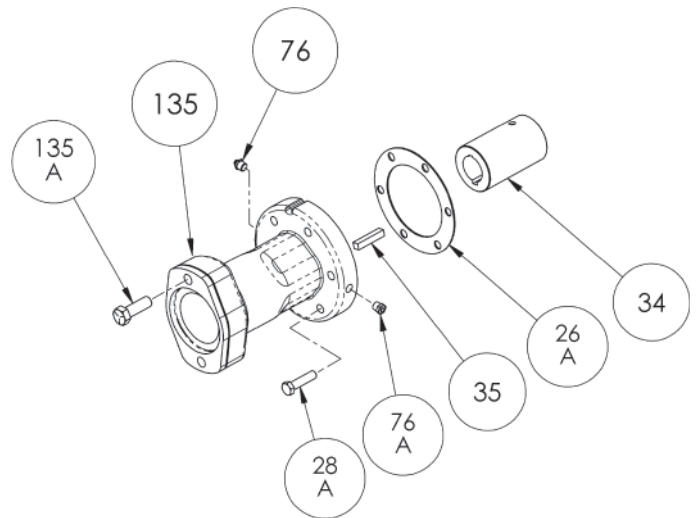
* Note: Mechanical Seal Assy. (Ref 153) is only sold as a complete assembly.
Ref. Nos. 153A, 153B, & 153C are not available as separate replacement parts.



Optional 1" Hydraulic Motor Adapter Parts

| Ref No. | Item Number | Part Number | Description | Qty. |
|-----------|---------------|-------------|--|-----------|
| See Below | Special Order | 895143 | Hydraulic Motor Adapter Kit * | See Below |
| 26A | Special Order | 381817 | Gasket — Hydraulic Motor Adapter | 1 |
| 28A | Special Order | 920369 | Capscrew — Hydraulic Motor Adapter / Head | 4 / 6 |
| 34 | Special Order | 906990 | Coupling w/ Setscrew — Straight Key Hyd. Motor Shaft | 1 |
| 35 | Special Order | 909184 | Key — Coupling | 1 |
| 76 | 142206 | 317815 | Grease Fitting | 1 |
| 76A | 142478 | 701992 | Grease Relief Fitting | 1 |
| 135 | Special Order | 041831 | Hydraulic Motor Adapter — SAE A Flange | 1 |
| 135A | Special Order | 920510 | Capscrew — Adapter / Motor | 2 |

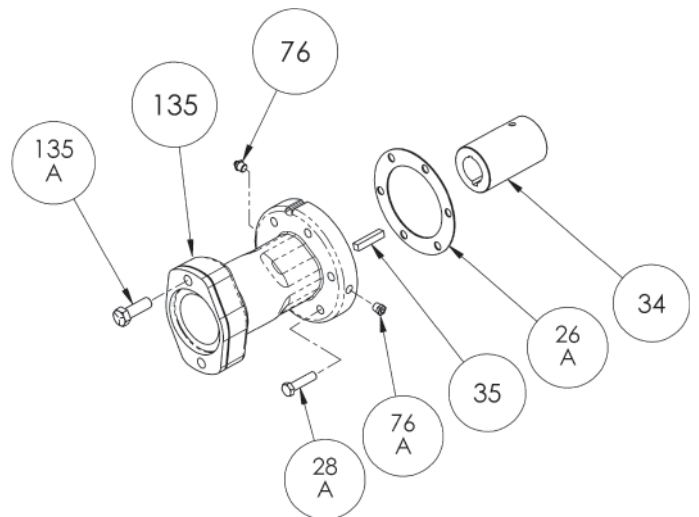
* Hydraulic Motor Adapter Kits shipped prior to Spring 2002 were of a two piece design — refer to page 206-C00.



Optional 1 1/4" Hydraulic Motor Adapter Parts

| Ref No. | Item Number | Part Number | Description | Qty. |
|-----------|---------------|-------------|--|-----------|
| See Below | Special Order | 895140 | Hydraulic Motor Adapter Kit * | See Below |
| 26A | Special Order | 381817 | Gasket — Hydraulic Motor Adapter | 1 |
| 28A | Special Order | 920369 | Capscrew — Hydraulic Motor Adapter / Head | 4 / 6 |
| 34 | Special Order | 906967 | Coupling w/ Setscrew — 1.25" Straight Key Hyd. Motor Shaft | 1 |
| 35 | Special Order | 909184 | Key — Coupling | 1 |
| 76 | 142206 | 317815 | Grease Fitting | 1 |
| 76A | 142478 | 701992 | Grease Relief Fitting | 1 |
| 135 | Special Order | 041831 | Hydraulic Motor Adapter — SAE A Flange | 1 |
| 135A | Special Order | 920510 | Capscrew — Adapter / Motor | 2 |

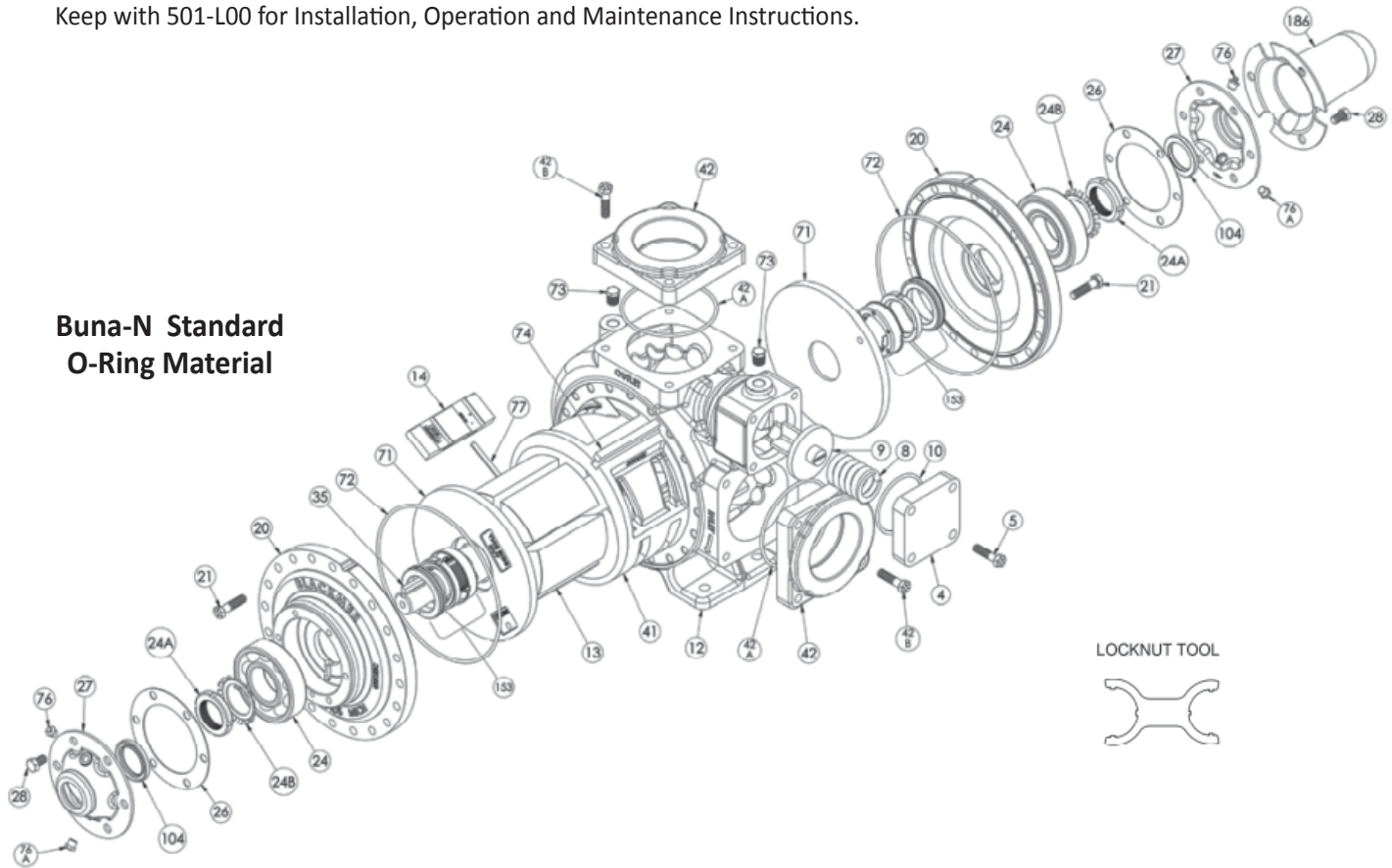
* Hydraulic Motor Adapter Kits shipped prior to Spring 2002 were of a two piece design — refer to page 206-C00.



Parts Details for Models LGL3021A

Keep with 501-L00 for Installation, Operation and Maintenance Instructions.

**Buna-N Standard
O-Ring Material**



| Ref No. | Item Number | Part Number | Description | Qty. | Ref No. | Item Number | Part Number | Description | Qty. |
|---------|---------------|---------------------|--|------|---------|---------------|---------------------|-----------------------|------|
| 4 | Special Order | 415115 | Cover — Relief Valve (R/V) | 1 | 41 | 142184 | ² 185111 | Liner | 1 |
| 5 | Special Order | 920379 | Capscrews — R/V Cover | 4 | 42 | Special Order | 655132 | Flange — NPT 3" | 2 |
| 8 | 142407 | ¹ 475135 | Spring — R/V | 1 | 42 | Special Order | 655133 | Flange — NPT 4" | |
| 9 | 142380 | 455129 | Valve — R/V | 1 | 42A | Special Order | ¹ 712245 | O-Ring — 3" Flange | 2 |
| 10 | 142506 | ¹ 711941 | O-Ring — R/V Cover | 1 | 42A | Special Order | ¹ 794126 | O-Ring — 4" Flange | |
| 12 | Special Order | 015131 | Casing | 1 | 42B | Special Order | 920379 | Capscrew — NPT Flange | 8 |
| 13A | Special Order | ² 265190 | Rotor & Shaft Asy. (includes Ref. Nos. 24A & 24B) | 1 | 71 | 142133 | ¹ 065112 | Disc | 2 |
| 14 | 142159 | ¹ 095131 | Vane — Duravane | 6 | 72 | 142479 | ¹ 702041 | O-Ring — Head | 2 |
| 20 | 142110 | 035128 | Head | 2 | 73 | Special Order | 908198 | Gage Plug | 2 |
| 21 | Special Order | 920379 | Capscrews — Head | 40 | 74 | 142186 | ² 185191 | Key — Liner | 1 |
| 24 | 142537 | ¹ 903166 | Ball Bearing | 2 | 76 | 142206 | 317815 | Grease Fitting | 2 |
| 24A | 142548 | ² 903523 | Locknut — Bearing | 2 | 76A | 142478 | 701992 | Grease Relief Fitting | 2 |
| 24B | 142550 | ¹ 903524 | Lockwasher — Bearing | 2 | 77 | Special Order | ¹ 125110 | Push Rod | 3 |
| 26 | 142292 | ¹ 385125 | Gasket — Bearing Cover | 2 | 104 | 142234 | ¹ 331908 | Grease Seal | 1 |
| 27 | 142116 | 041815 | Bearing Cover | 2 | 186 | Special Order | 341801 | Shaft Protector | 1 |
| 28 | Special Order | 920285 | Capscrews — Bearing Cover | 12 | --- | Special Order | 903091 | Tool — Locknut | --- |
| 35 | Special Order | ¹ 909209 | Key — Shaft, 1/4" Square | 1 | --- | Special Order | 899195 | Kit — Maintenance | --- |
| | | | | | --- | Special Order | 899095 | Kit — Rebuild | --- |

¹ Included in Maintenance Kit & Rebuild Kit.

² Included in Rebuild Kit.

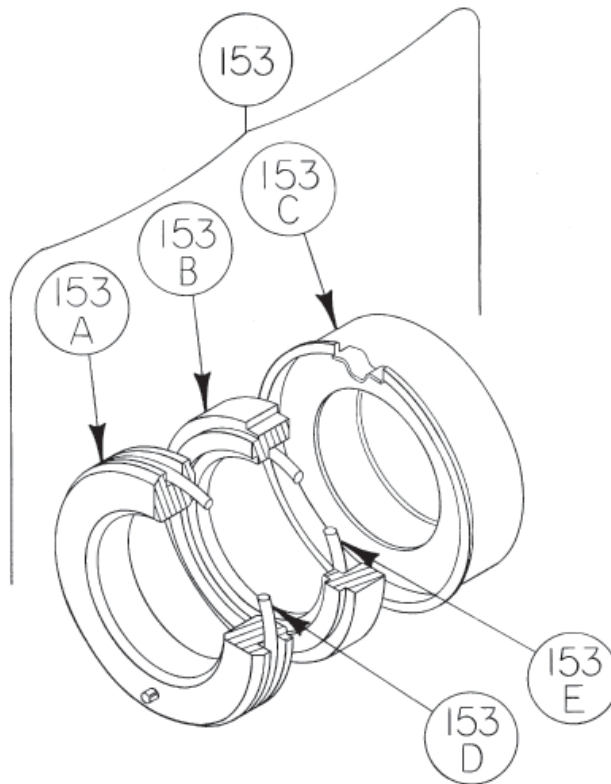
Parts Details for Models LGL3021A

Mechanical Seal — NH₃ Or Dual Service — SNCN (ID Code = QA)

| Ref No. | Item Number | Part Number | Description | Qty. |
|---------|---------------|---------------------|------------------------------|------|
| 153 | 142273 | ¹ 335225 | Mechanical Seal Assembly | 2 |
| 153A | Special Order | * | Stationary Seat (Steel) | 2 |
| 153B | Special Order | * | Seal Face (Carbon) | 2 |
| 153C | Special Order | * | Jacket Assembly | 2 |
| 153D | 142449 | 702025 | O-Ring — Stationary (Buna-N) | 2 |
| 153E | Special Order | 711912 | O-Ring — Rotating (Buna-N) | 2 |

¹Included in Maintenance Kit & Rebuild Kit.

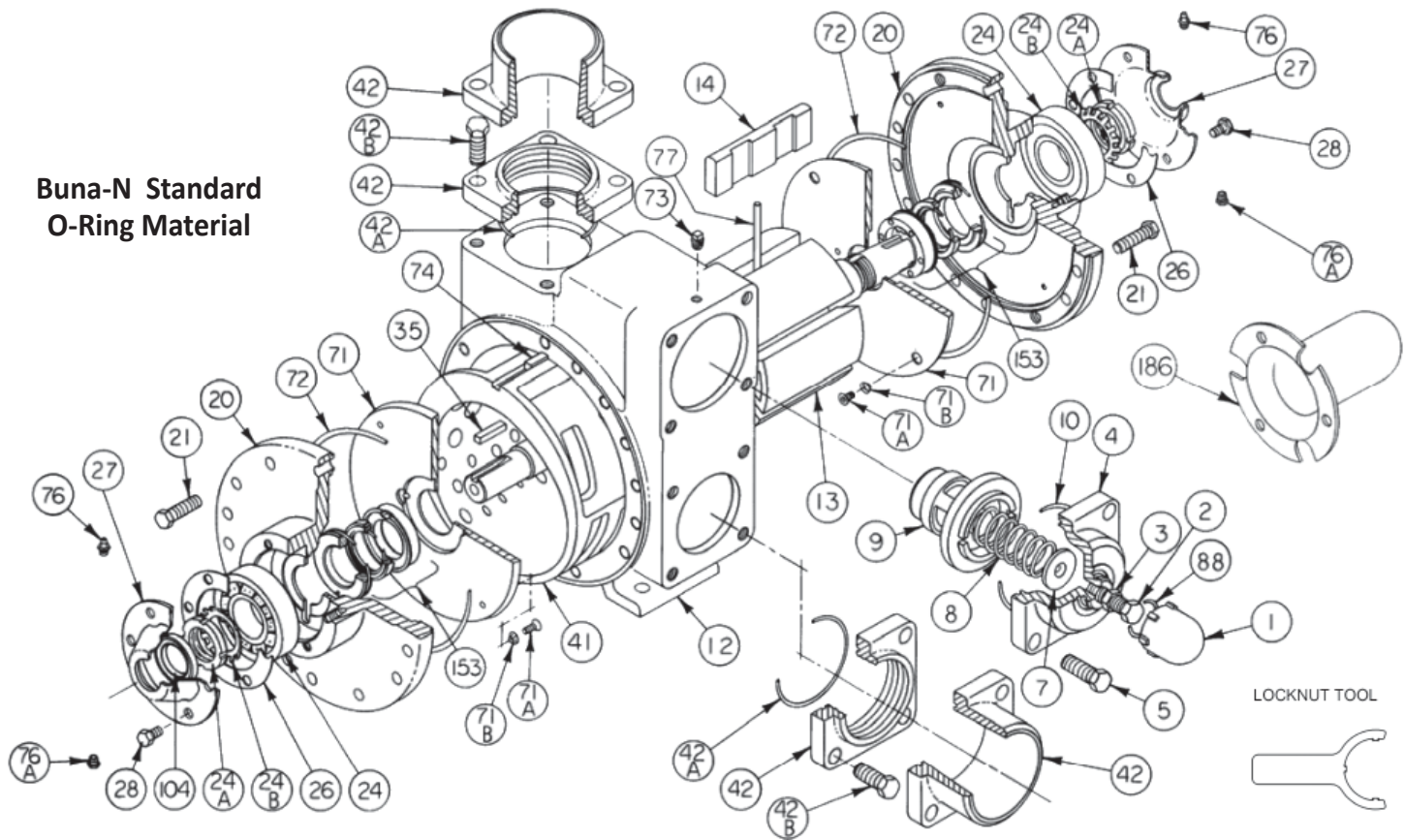
* Note: Mechanical Seal Assy. (Ref 153) is only sold as a complete assembly.
Ref. Nos. 153A, 153B, & 153C are not available as separate replacement parts.



Parts Details for Models LGLD4B

Keep with 501-E00 for Installation, Operation and Maintenance Instructions.

**Buna-N Standard
O-Ring Material**



| Ref No. | Item Number | Part Number | Description | Qty. | Ref No. | Item Number | Part Number | Description | Qty. | |
|---------|---------------|---------------------|--|------|---------|---------------|---------------------|-------------------------------|-----------------------|---|
| 1 | Special Order | 413957 | Cap — Relief Valve (R/V) | 1 | 41 | 142173 | ² 182000 | Liner | 1 | |
| 2 | Special Order | 436310 | Adjusting Screw — R/V | 1 | 42 | 142416 | 652012 | Flange - 3" NPT | 1-2 | |
| 3 | Special Order | 432039 | Locknut — Adjusting Screw | 1 | | Special Order | 652007 | Flange - 3" Weld | | |
| 4 | Special Order | 412001 | Cover — R/V | 1 | | Special Order | 652005 | Flange - 4" Weld | | |
| 5 | Special Order | 920663 | Capscrews — R/V Cover | 4 | 42A | 142452 | ¹ 701937 | O-Ring — NPT, Weld Flange | 2 | |
| 7 | 142338 | 426355 | Spring Guide — R/V | 1 | 42B | | Special Order | 920663 | Capscrew — NPT Flange | 8 |
| 8 | 142404 | ¹ 472039 | Spring — R/V | 1 | | 142617 | 920640 | Capscrew — Weld Flange | | |
| 9 | 142360 | 452001 | Valve — R/V | 1 | 71 | 142129 | ¹ 062039 | Disc | 2 | |
| 10 | 142458 | ¹ 701946 | O-Ring — R/V Cover | 1 | 71A | 142284 | ² 920015 | Machine Screw — Disc | 8 | |
| 12 | Special Order | 012019 | Casing | 1 | 71B | Special Order | ² 909634 | Lockwasher — Machine Screw | 8 | |
| 13 | 142508 | ² 262041 | Rotor & Shaft Asy. (includes Ref. Nos. 24A & 24B) | 1 | 72 | 142481 | ¹ 702039 | O-Ring — Head | 2 | |
| 14 | 142145 | ¹ 092019 | Vane — Duravane | 6 | 73 | Special Order | 908198 | Gage Plug | 2 | |
| 20 | Special Order | 032041 | Head | 2 | 74 | Special Order | ² 182040 | Key — Liner | 1 | |
| 21 | 142614 | 920532 | Capscrews — Head | 28 | 76 | 142206 | 317815 | Grease Fitting | 2 | |
| 24 | 142537 | ¹ 903166 | Ball Bearing | 2 | 76A | 142478 | 701992 | Grease Relief Fitting | 2 | |
| 24A | 142555 | ² 903541 | Locknut — Bearing | 2 | 77 | 142166 | ¹ 122009 | Push Rod — Composite — LGLD4B | 3 | |
| 24B | 142556 | ¹ 903542 | Lockwasher — Bearing | 2 | 88 | 142445 | ¹ 701926 | O-Ring — R/V Cap | 1 | |
| 26 | 142292 | ¹ 385125 | Gasket — Bearing Cover | 2 | 104 | 142234 | ¹ 331908 | Grease Seal — LGLD4B | 2 | |
| 27 | 142116 | 041815 | Bearing Cover | 2 | 186 | Special Order | 341801 | Shaft Protector | 1 | |
| 28 | Special Order | 920285 | Capscrews — Bearing Cover | 12 | | 142545 | 903092 | Tool — Locknut | --- | |
| 35 | 142578 | ¹ 909183 | Key — Shaft | 1 | | 142527 | 898922 | Kit — Maintenance | --- | |
| | | | | | | 142571 | 899022 | Kit — Rebuild — LGLD4B | --- | |

¹Included in Maintenance Kit & Rebuild Kit. ² Included in Rebuild Kit.

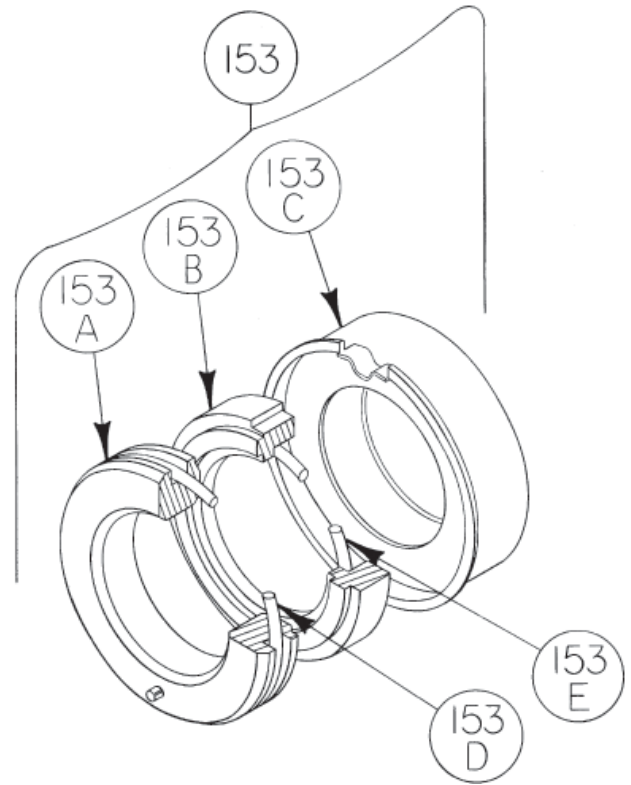
Parts Details for Models LGLD4B

Mechanical Seal

| Ref No. | Item Number | Part Number | Description | Qty. |
|---------|---------------|---------------------|----------------------------------|------|
| 153 | 142252 | ¹ 332050 | Mechanical Seal Assembly | 2 |
| 153A | Special Order | * | Stationary Seat (Hardened Steel) | 2 |
| 153B | Special Order | * | Seal Face (Carbon) | 2 |
| 153C | Special Order | * | Jacket Assembly | 2 |
| 153D | 142461 | 701934 | O-Ring — Stationary (Buna-N) | 2 |
| 153E | Special Order | 711912 | O-Ring — Rotating (Buna-N) | 2 |

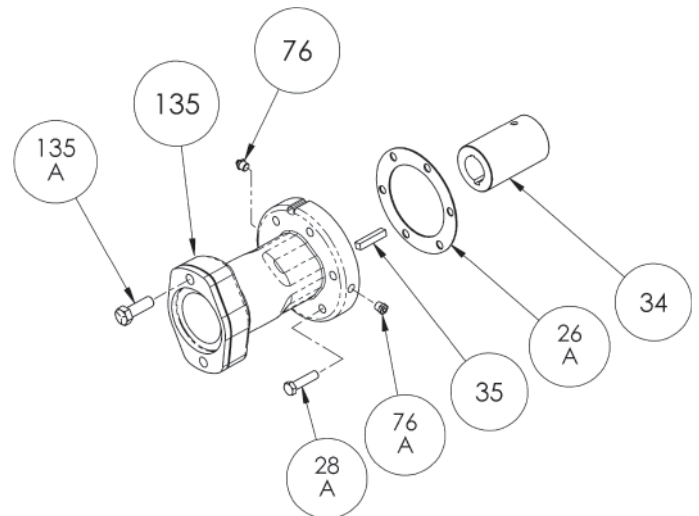
¹Included in Maintenance Kit & Rebuild Kit.

* Note: Mechanical Seal Assy. (Ref 153) is only sold as a complete assembly.
Ref. Nos. 153A, 153B, & 153C are not available as separate replacement parts.



Optional Hydraulic Motor Adapter Parts

| Ref No. | Item Number | Part Number | Description | Qty. |
|-----------|---------------|-------------|--|-----------|
| See Below | 142547 | 892037 | Hydraulic Motor Adapter Kit | See Below |
| 26A | Special Order | 381817 | Gasket — Hydraulic Motor Adapter | 1 |
| 28A | Special Order | 920369 | Capscrew — Hydraulic Motor Adapter / Head | 6 |
| 34 | Special Order | 906970 | Coupling w/ Setscrew — 1.25" Straight Key Hyd. Motor Shaft | 1 |
| 35 | Special Order | 909184 | Key — Coupling | 1 |
| 76 | 142206 | 317815 | Grease Fitting | 1 |
| 76A | 142478 | 701992 | Grease Relief Fitting | 1 |
| 135 | Special Order | 041829 | Hydraulic Motor Adapter — SAE A Flange | 1 |
| 135A | Special Order | 920510 | Capscrew — Adapter / Motor | 2 |



| Relief Valve Rate of Discharge | | | | | | | |
|--------------------------------|-------|--------------------------|-------|--------------------------|-------|--------------------------|--------|
| Surface Area Square Feet | CFM | Surface Area Square Feet | CFM | Surface Area Square Feet | CFM | Surface Area Square Feet | CFM |
| 135 | 1,240 | 260 | 2,120 | 650 | 4,480 | 1,600 | 9,380 |
| 140 | 1,280 | 270 | 2,180 | 700 | 4,760 | 1,650 | 9,620 |
| 145 | 1,310 | 280 | 2,250 | 750 | 5,040 | 1,700 | 9,860 |
| 150 | 1,350 | 290 | 2,320 | 800 | 5,300 | 1,750 | 10,090 |
| 155 | 1,390 | 300 | 2,380 | 850 | 5,590 | 1,800 | 10,330 |
| 160 | 1,420 | 310 | 2,450 | 900 | 5,850 | 1,850 | 10,560 |
| 165 | 1,460 | 320 | 2,510 | 950 | 6,120 | 1,900 | 10,800 |
| 170 | 1,500 | 330 | 2,570 | 1,000 | 6,380 | 1,950 | 11,030 |
| 175 | 1,530 | 340 | 2,640 | 1,050 | 6,640 | 2,000 | 11,260 |
| 180 | 1,570 | 350 | 2,700 | 1,100 | 6,900 | 2,050 | 11,490 |
| 185 | 1,600 | 360 | 2,760 | 1,150 | 7,160 | 2,100 | 11,720 |
| 190 | 1,640 | 370 | 2,830 | 1,200 | 7,410 | 2,150 | 11,950 |
| 195 | 1,670 | 380 | 2,890 | 1,250 | 7,660 | 2,200 | 12,180 |
| 200 | 1,710 | 390 | 2,950 | 1,300 | 7,910 | 2,250 | 12,400 |
| 210 | 1,780 | 400 | 3,010 | 1,350 | 8,160 | 2,300 | 12,630 |
| 220 | 1,850 | 450 | 3,320 | 1,400 | 8,410 | 2,350 | 12,850 |
| 230 | 1,920 | 500 | 3,620 | 1,450 | 8,650 | 2,400 | 13,080 |
| 240 | 1,980 | 550 | 3,910 | 1,500 | 8,900 | 2,450 | 13,300 |
| 250 | 2,050 | 600 | 4,200 | 1,550 | 9,140 | 2,500 | 13,520 |

Minimum required rate of discharge in cubic feet per minute (CFM) of air for safety relief valves.
 Discharge measured @ 60° F. and atmospheric pressure 14.7 psi.

| Pressure & Temperature Chart of Ammonia (NH ₃) | | | |
|--|-----------|-------------|------------|
| Temperature | Pressure | Temperature | Pressure |
| 25°F | 39.0 PSIG | 30°F | 45.0 PSIG |
| 26°F | 40.2 PSIG | 40°F | 58.6 PSIG |
| 27°F | 41.4 PSIG | 50°F | 74.5 PSIG |
| 28°F | 42.6 PSIG | 60°F | 92.9 PSIG |
| 29°F | 43.8 PSIG | 70°F | 114.1 PSIG |

| | |
|---|--------|
| • 1769-XRA Parts Breakdown | 84 |
| • 2-Bolt Clamp Hose Couplings | 4 |
| • 521 Parts Breakdown | 79-80 |
| • 1021 Parts Breakdown | 79-80 |
| A | |
| • Acme Adaptors | 27 |
| • Acme Adaptor Caps | 27 |
| • Acme Caps & Plugs | 28 |
| • Acme Gaskets & O-Rings | 77 |
| • Acme Lock | 8 |
| • Acme Spanner Wrench | 27 |
| • Acme Strainer Screens | 29 |
| • Actuators & Accessories - ESV's - Fisher | 36 |
| • Actuators & Accessories - ESV's - MEC | 38 |
| • Actuators & Acc. - Internal Valves - Fisher | 41-42 |
| • Actuators & Acc. - Internal Valves - MEC | 47-48 |
| • Air Actuator Accessories | 33, 47 |
| • Allegheny | 36 |
| • Angle Valves | 18 |
| • Apollo Ball Valves | 32 |
| B | |
| • Back Check Valves | 23-24 |
| • Baldor Electric Motors | 57 |
| • Ball Valves | 32 |
| • Blackmer Bypass | 52 |
| • Blackmer Parts Breakdown | 85-92 |
| • Blackmer Pumps | 57 |
| • Blackmer Repair Kits | 58 |
| • Bleed Valves | 30 |
| • Bobtail Gauges | 63-64 |
| • Boss Clamp Hose Ends | 4 |
| • Breakaway Coupling — IB125 | 13 |
| • Broken Screw Kit | 70 |
| • Bulkheads | 25 |
| • Bypass - Blackmer | 52 |
| • Bypass - Corken | 52 |
| • Bypass - MEC | 52 |
| C | |
| • Chain - Acme | 28 |
| • Container Thermometers | 31 |
| • Corken Bypass | 52 |
| • Corken Compressor Parts | 56 |
| • Corken Compressors | 55 |
| • Corken Coro-Vane Pumps | 51 |
| • Corken Coro-Vane Repair Kits | 53 |
| • Corken Pump Breakdown | 79-84 |
| • Corken Z-Series Pumps | 51 |
| • Corken Z-Series Repair Kits | 54 |
| D | |
| • Dial Installation | 74-76 |
| • Dial Ordering Information | 72-73 |
| • Dial Screws | 70 |
| • Dials | 69-70 |
| E | |
| • Electric Motors | 57 |

| | |
|--|--------|
| • Electronic Actuator - ESV | 35 |
| • Electronic Nurse Tank ESV | 13 |
| • Electronic Shutdown System | 34 |
| • Emergency Shutoff Valves | 35, 37 |
| • Equa-Flow Manifolds | 15 |
| • Excess Flow Valves | 23 |
| • Extra Heavy Seamless Nipples | 50 |
| • Extra Heavy Swage Nipples | 50 |
| F | |
| • Fill Valve - Nurse Tank | 5 |
| • Filler Couplings | 8, 28 |
| • Filter - Trapall | 47 |
| • Fisher ESV Accessories | 36 |
| • Fisher ESV Valves | 35 |
| • Fisher Relief Valve Accessories | 21 |
| • Fisher Relief Valves | 21 |
| • Fisher Internal Valve Air Actuators | 41 |
| • Fisher Internal Valve Cable Latches | 42 |
| • Fisher Internal Valve Repair Kits | 40 |
| • Fisher Internal Valve Rotary Actuators | 41 |
| • Fisher Internal Valves | 39-40 |
| • Flex - Stainless Steel | 3 |
| • Flow Indicator | 62 |
| • Flow Splitter | 16 |
| • Flow-Max Safety Coupler | 11-12 |
| • Flow-Max Parts | 11-12 |
| • Flo-Safe - Nurse Tank ESV | 13 |
| • Forged Steel Fittings | 49 |
| • Forged Steel Hex Bushings | 49 |
| • Forged Steel Hex Head Plugs | 49 |
| • Forged Steel Unions | 49 |
| • Full Flow Y-Fitting | 16 |
| G | |
| • Gaskets & O-Rings | 77 |
| • Gauge - Bobtail | 63-64 |
| • Gauge - Broken Screw Kit | 70 |
| • Gauge - Dial Installation | 74-76 |
| • Gauge - Dials | 69-70 |
| • Gauge - Dial Screws | 70 |
| • Gauge - Junior Head | 61 |
| • Gauge - Liquid Filled | 31 |
| • Gauge - N-Serve SS | 60 |
| • Gauge - Ordering Information | 71 |
| • Gauge - Pressure | 31 |
| • Gauge - Rotary | 68 |
| • Gauge - Reference Information | 72 |
| • Gauge - Senior Head | 59 |
| • Gauge - Storage | 65-68 |
| • Gauge - The Eliminator™ | 67 |
| • Gauge Snubber | 31 |
| • Globe & Angle Valves | 17-18 |
| H | |
| • Hi-Flow Hose End Globe Valves | 7 |
| • Hi-Flow Hose End Valve Assemblies | 7 |
| • Hi-Flow Nurse Tank Valves | 5 |

| | |
|---------------------------------------|-------|
| • Hi-Flow Pipe Strainer | 29 |
| • Hose - Assemblies Nylon | 2 |
| • Hose - Assemblies SS | 2 |
| • Hose - Protective Wrap | 3 |
| • Hose Buddy | 3 |
| • Hose Couplings | 4 |
| • Hose End Check Adaptor | 9 |
| • Hose End Valves - Globe | 7 |
| • Hose End Valves - Minimum Bleed | 9 |
| • Hose End Valves - Quick Jaw | 9 |
| • Hose End Valves - Snap Acting | 10 |
| • Hose Swivel | 9 |
| • Hose Unions | 4 |
| • Hose Wrap | 3 |
| • Hydrostatic Valves | 19 |
| I | |
| • In-Line Breakaway Coupling - IB125 | 13 |
| • In-Line Sight Flow | 32 |
| • Integral Shear Check-Lock | 14 |
| • Internal Valve Actuators - Fisher | 41-42 |
| • Internal Valve Actuators - MEC | 47-48 |
| • Internal Valves - Fisher | 39-40 |
| • Internal Valves - MEC | 43-46 |
| J | |
| • Jomar Stainless Steel Ball Valves | 32 |
| • Junior Above Ground NH3 Gauges | 61 |
| K | |
| • Krug Compressor & Hand Pump | 55 |
| L | |
| • LGLD2E Parts Breakdown | 85-86 |
| • LGL3021A Parts Breakdown | 89-90 |
| • LGLD3F Parts Breakdown | 87-88 |
| • LGLD4B Parts Breakdown | 91-92 |
| • Liquid Level Vent Valves | 30 |
| • Liquid Withdrawal Valves | 5 |
| • Low Emission Valves | 9-10 |
| M | |
| • Manifold Hose Nipples | 15 |
| • Manifold Parts | 15 |
| • Master Gauges | 65-66 |
| • MEC Bypass | 52 |
| • MEC ESV Accessories | 38 |
| • MEC ESV Valves | 37 |
| • MEC Relief Valve | 22 |
| • MEC Relief Valve Accessories | 22 |
| • MEC Internal Valve Actuators | 47-48 |
| • MEC Internal Valves | 43-46 |
| • MEC Quad-Port Relief Valve Manifold | 22 |
| • MEC Swing Check Valves | 24 |
| • MEC Turbo-Flo LE™ | 10 |
| • Minimum Bleed Hose End Valves | 9 |
| • Motor - Electric | 57 |
| N | |
| • N-Serve Gauges | 60 |
| • Needle Valves | 32 |

| | |
|---|-------|
| • NH3 CFM Chart | 93 |
| • Nurse Tank Valves | 5 |
| O | |
| • O-Rings - Acme Adaptors | 77 |
| P | |
| • Parker NH3 Hose Assemblies | 2 |
| • Parking Plugs | 30 |
| • Pipeaway Adaptors | 19 |
| • Piping - Steel - Schedule 80 Nipples | 50 |
| • Piping - Steel -Forged Steel Fittings | 49 |
| • Plastic Acme Caps | 28 |
| • Plastic Acme Plugs | 28 |
| • Pneumatic Accessories | 47 |
| • Pneumatic Tubing & Connectors | 33 |
| • PowerTorq Rotary Actuators | 38 |
| • Pressure Gauges | 31 |
| • Pump - Blackmer | 57 |
| • Pump - Blackmer Parts | 58 |
| • Pump - Corken | 51 |
| • Pump - Corken Parts | 53-54 |
| • Pump - Krug | 55 |
| Q | |
| • Quick Jaw Hose End Valves | 9 |
| R | |
| • Rain Caps | 19-22 |
| • Relief Valve - Fisher | 21 |
| • Relief Valve - Manifold | 19-20 |
| • Relief Valve - MEC | 22 |
| • Relief Valve - Nurse Tank | 19-20 |
| • Relief Valve - Piping & Hose | 19 |
| • Relief Valve - Storage | 19-22 |
| • Relief Valve Rain Cap | 19-22 |
| • Remote Shutdown System | 34 |
| • Repair Kits | 78 |
| • Reusable Hose Couplings | 4 |
| • Rings & Chains | 28 |
| • Riser Valves | 6 |
| • RoadMaster Mobile Applications | 63-64 |
| • Rotary Actuators - Fisher | 41 |

| | |
|---|-------|
| • Rotary Actuators - MEC | 48 |
| • Rotary Gauges | 68 |
| • RotaSeal Hose Swivel | 9 |
| • RSD E-Box & Accessories | 34 |
| S | |
| • Safety Fill Adaptor for Quick Jaw | 9 |
| • Seamless Pipe Nipples | 50 |
| • Schedule 80 Pipe Nipples | 50 |
| • Senior Above Ground NH3 Gauges | 59 |
| • Sight Flow | 32 |
| • SkyTraks | 16 |
| • Snap Acting Hose End Valves | 10 |
| • Spanner Wrench | 29 |
| • Spiral Hose Wrap | 3 |
| • Squibb Taylor Angle Valves | 18 |
| • Squibb Taylor Back Check Valves | 23 |
| • Squibb Taylor Excess Flow Valves | 23 |
| • Squibb Taylor Globe Valves | 17 |
| • Squibb Taylor Hose End Valves | 7-10 |
| • Squibb Taylor Quick Jaw Hose End Valves | 9 |
| • Squibb Taylor Repair Kits | 78 |
| • Squibb Taylor RotaSeal Hose Swivel | 9 |
| • Squibb Taylor Snap Acting Hose End Valves | 10 |
| • SS Flex Connectors | 3 |
| • Steel Acme Adaptor Caps | 27 |
| • Steel Back Check Valves | 23 |
| • Steel Excess Flow Valves | 23 |
| • Steel Female Acme Caps | 28 |
| • Steel Filler Couplings | 28 |
| • Steel Hose Nipples | 15 |
| • Steel Male Acme X FNPT Adaptors | 27 |
| • Steel Male Acme X Male Acme Adaptors | 27 |
| • Steel Male Acme X MNPT Adaptors | 27 |
| • Storage Gauge | 65-68 |
| • Storage Gauge - Dials | 66-67 |
| • Storage Gauge - Rotary | 68 |
| • Strainers - Hi-Flow Pipe | 29 |
| • Strainers - Y | 29 |
| • Swage Nipples | 50 |

| | |
|---|--------|
| • Swing Check Valves - MEC | 24 |
| • Swivel Hose Unions | 4 |
| T | |
| • Tank Valves - Nurse | 5 |
| • Tank Valves - Service | 6 |
| • The Eliminator™ | 67 |
| • Thermometers | 31 |
| • Transfer Area Bulkheads | 25 |
| • Trapall Filter | 47 |
| • TriPod Accessories | 26 |
| • TriPod Safety Couplers | 25 |
| • Tubing - Air (Internal & ESV Valve Actuators) | 33 |
| • Turbo-Flo LE™ Transfer Valve | 10 |
| • Two-Bolt Clamp Hose Couplings | 4 |
| V | |
| • Valve - Angle | 18 |
| • Valve - Ball | 32 |
| • Valve - ESV Nurse Tank | 13 |
| • Valve - ESV | 35, 37 |
| • Valve - Filler | 5 |
| • Valve - Globe | 17 |
| • Valve - Hose End | 7-10 |
| • Valve - Internal | 39-46 |
| • Valve - Liquid Withdrawal | 5 |
| • Valve - Needle | 32 |
| • Valve - Nurse | 5 |
| • Valve - Repair Kits | 78 |
| • Valve - Riser | 6 |
| • Valve - Vapor Return | 5 |
| • Valve - Vent | 30 |
| • Valve Locks | 31 |
| W & Y | |
| • Wheel Chocks | 29 |
| • Y-Strainers | 29 |
| Z | |
| • Z2000 Parts Breakdown | 81 |
| • Z3500 Parts Breakdown | 82 |
| • Z4500 Parts Breakdown | 83 |

Squibb-Taylor's Quality Policy

We will provide defect-free products and service to our customers and associates.

We will fully understand the requirements of our jobs and the systems that support us.

We will conform to these requirements at all times.

Squibb-Taylor, Inc., established in 1947, has been serving the NH3 industry with quality lines and services for over sixty-eight years.

Squibb-Taylor, Inc., is responsible for the marketing of Taylor's liquid level gauges and Parker PGI International valves for the NH3 industry. We are also a stocking distributor for other manufactured NH3 products. **SQUIBB-TAYLOR DOES NOT DESIGN OR MANUFACTURE ANY PRODUCTS IN THIS CATALOG.**

The Dallas facility houses 24,500 square feet of space, of which 14,500 square feet are devoted to its warehouse that stocks some 10,000 separate items.

We wish to thank you for the support and confidence you have shown in Squibb-Taylor and hope relationships will continue for decades to come.

TERMS & CONDITIONS

Payment

To customers with established credit, *net 30 days from date of invoice*. Customers without established credit will be shipped C.O.D., credit card with percentage upcharge or cash in advance.

Prices

Prices are subject to change without notice.

Shortage Claims

Claims for shortages must be made within 10 days after receipt of shipment.

Warranty

Warranties as expressed by individual manufacturers will be honored.

Returned Material

No material should be returned for credit without Seller's prior approval. Transportation charges must be prepaid. A restocking charge may apply. Merchandise returned must be accompanied by a Returned Goods Authorization (RGA) number, which is provided to customer by Squibb-Taylor.

Taxes

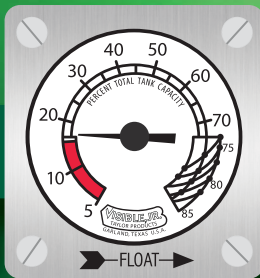
Buyer shall be liable for all Sales, Use, or Excise taxes not included in total invoice price.

Special Orders

On special items we order that are not normal stock items, we cannot accept cancellations or returns and may require prepayment at the discretion of Squibb-Taylor.

Visit our Website @ www.squibbtaylor.com for Updates, Changes, New Products, IOM Manual - (Installation, Operation, & Maintenance Instructions), Service Guides & to Sign up for our Newsletter.

S Q U I B B



T A Y L O R

Visit our Website @ www.squibbtaylor.com for Updates, Changes, New Products
& IOM Manual - (Installation, Operation, & Maintenance Instructions)

www.squibbtaylor.com

10480 Shady Trail Suite #106
Dallas, TX 75220

800-345-8105
Fax 214-357-5923

11.15